



**TRINITY GLASS**  
INTERNATIONAL

33615 1st Way S Federal Way, WA 98003

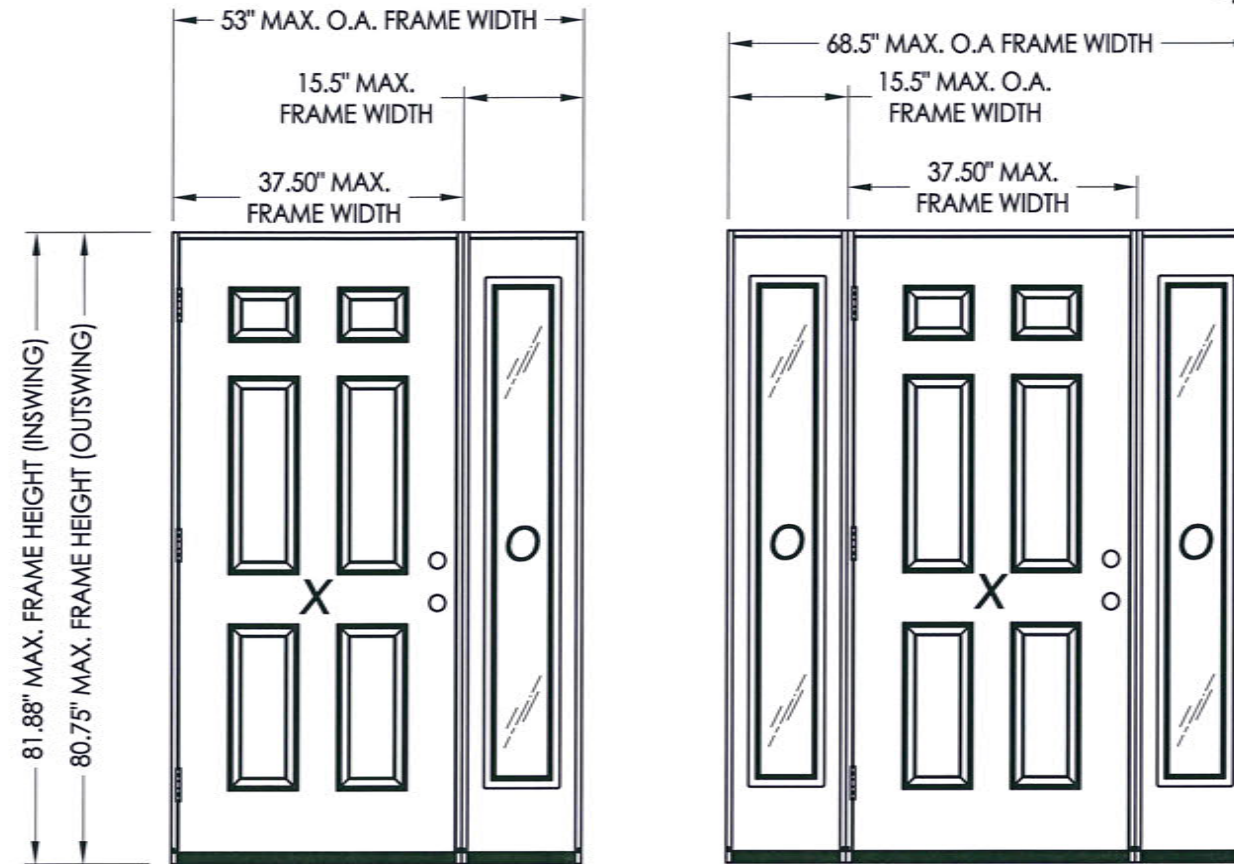
## OPAQUE FIBERGLASS "IMPACT" DOOR with "NON-IMPACT" SIDELITE(S) IN SWING / OUTSWING

### GENERAL NOTES

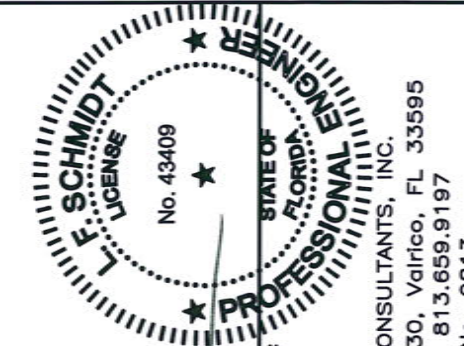
1. This product has been evaluated and is in compliance with the 5th Edition (2014) Florida Building Code (FBC) structural requirements excluding the "High Velocity Hurricane Zone" (HVHZ).
2. Product anchors shall be as listed and spaced as shown on details. Anchor embedment to base material shall be beyond wall dressing or stucco.
3. When used in areas requiring wind borne debris protection, the opaque door complies with Section 1609.1.2 of the FBC and does not need to be protected with an impact resistant covering. The sidelite is req'd to be protected with an impact resistant covering that complies with Section 1609.1.2 of the FBC. The opaque door, when used with wood or fiberglass/composite jambs, meets missile level "D" and includes Wind Zone 4 as defined in ASTM E 1996 and Section 1609.1.2.2 of the FBC. The opaque door, when used with the PVC jambs, meets missile level "D" but excludes Wind Zone 4.
4. For 2x stud framing construction, anchoring of these units shall be the same as that shown for 2x buck masonry construction.
5. Site conditions that deviate from the details of this drawing require further engineering analysis by a licensed engineer or registered architect.

### TABLE OF CONTENTS

SHEET#	DESCRIPTION
1	Typical elevations, design pressures & general notes
2	Door panel details
3	Sidelite panel details
4	Sidelite panel details
5	Elevations
6	Horizontal cross sections
7	Vertical cross sections
8	Vertical cross sections
9	Buck anchoring
10	Frame anchoring
11	Components
12	Bill of materials



CONFIGURATION	MAX. FRAME DIMENSION	JAMB TYPE	DESIGN PRESSURE (PSF)	
			POSITIVE	NEGATIVE
OX/XO	53.0" x 81.88"	WOOD	+60.0	-70.0
		FIBERGLASS/COMP	+55.0	-55.0
		PVC	+30.0	-30.0
OXO	68.5" x 81.88"	WOOD	+55.0	-55.0
		FIBERGLASS/COMP	+55.0	-55.0
		PVC	+30.0	-30.0



Documents Prepared By:  
Lyndon F. Schmidt  
P.E. No. 43409

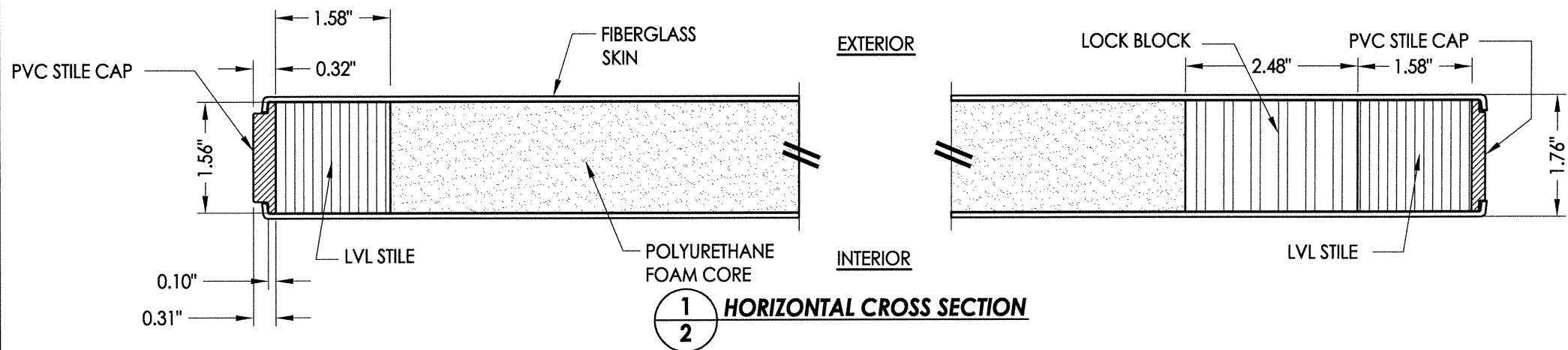
**R.W.** BUILDING CONSULTANTS, INC.  
P.O. Box 230, Valrico, FL 33595  
Phone No.: 813.659.9197  
FBPE C.A. No. 9813

PRODUCT: TRINITY GLASS INT'L  
PART OR ASSEMBLY: JK  
TYPICAL ELEVATION, DESIGN PRESSURES & GENERAL NOTES

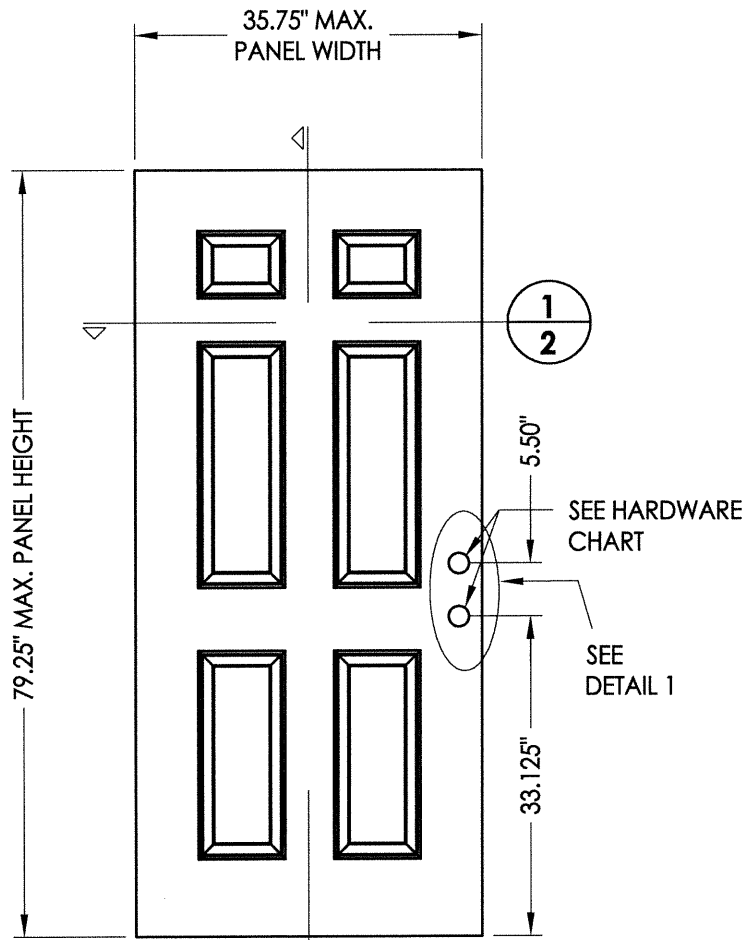
NO.	DATE	REVISIONS
2	03/02/15	UPDATE TO 5TH ED. (2014) FBC
1	12/16/14	REVISED LOCK HARDWARE

DATE: 1/18/12  
SCALE: N.T.S.  
DWG. BY: JK  
CHK. BY: LFS  
DRAWING NO.: FL-15129.3  
SHEET 1 OF 12

R:\Clients\Trinity PERMANENT\Florida Product Approvals\FL-15129\Drawings\Current\FL-15129.1-4.dwg, 2.3

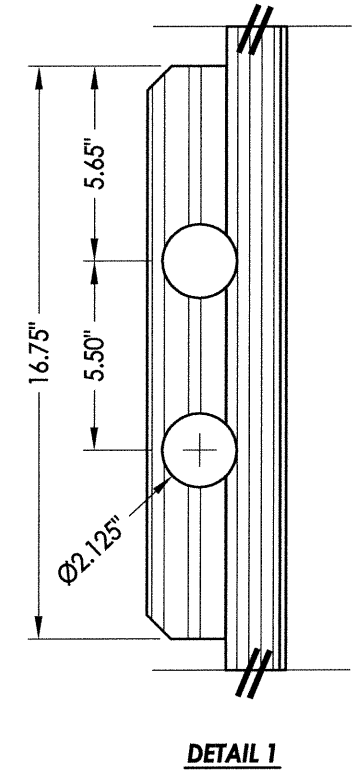


**1**  
**2** HORIZONTAL CROSS SECTION



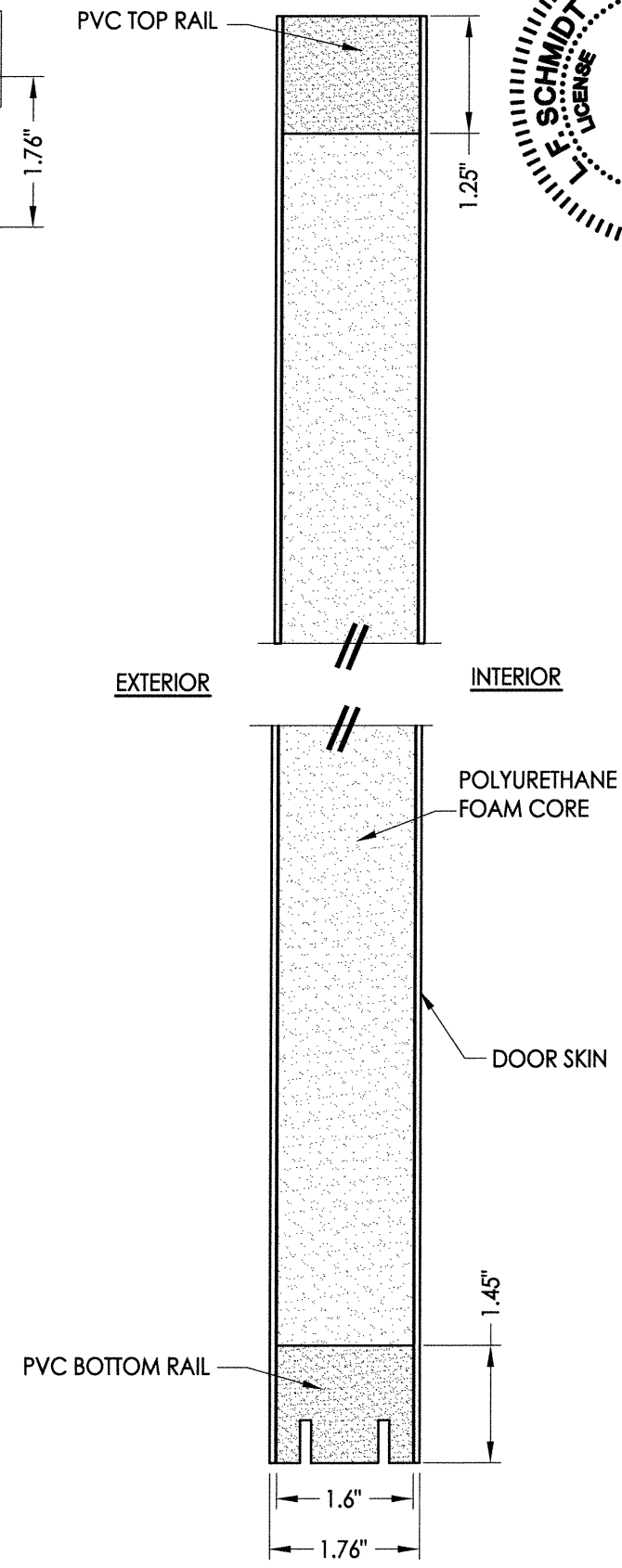
**40** OPAQUE DOOR

DOOR SKIN: 0.070" MIN. THK. FIBERGLASS  
CORE MATERIAL: POLYURETHANE FOAM

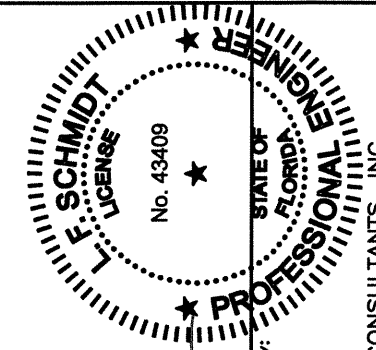


DETAIL 1

HARDWARE CHART	
MANUFACTURER	MODEL
KWIKSET	KNOB: SIGNATURE SERIES DEADBOLT: SIGNATURE SERIES (980)
KWIKSET	KNOB & DEADBOLT: SIGNATURE SERIES COMBO PACK (991)
SCHLAGE	KNOB: F SERIES DEADBOLT: B60 SERIES



**2**  
**2** VERTICAL CROSS SECTION



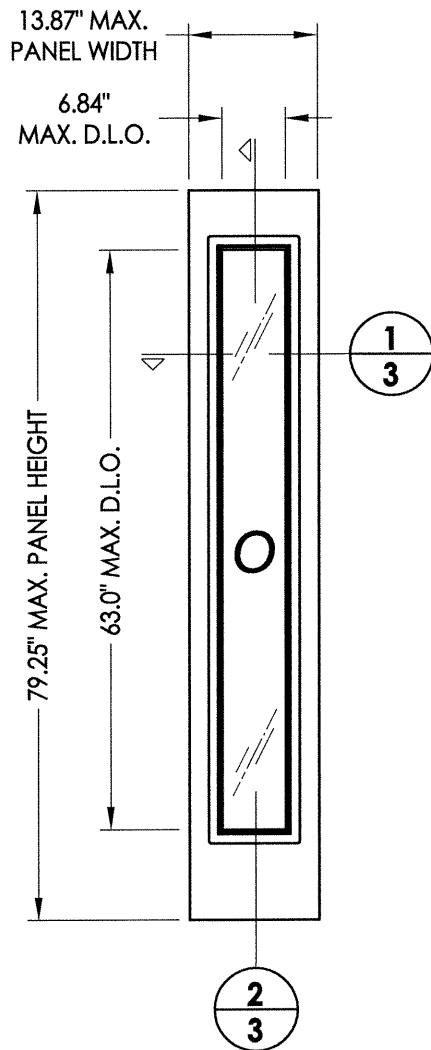
Documents Prepared By:  
Lyndon F. Schmidt  
P.E. No. 43409

**R.W.**  
BUILDING CONSULTANTS, INC.  
P.O. Box 230, Vairico, FL 33595  
Phone No.: 813.659.9197  
FBPE C.A. No. 9813

PRODUCT:	TRINITY GLASS INT'L
PART OR ASSEMBLY:	DOOR PANEL DETAILS
DATE:	1/18/12
SCALE:	N.T.S.
DWG. BY:	JK
CHK. BY:	LFS
DRAWING NO.:	FL-15129.3
SHEET	2 OF 12

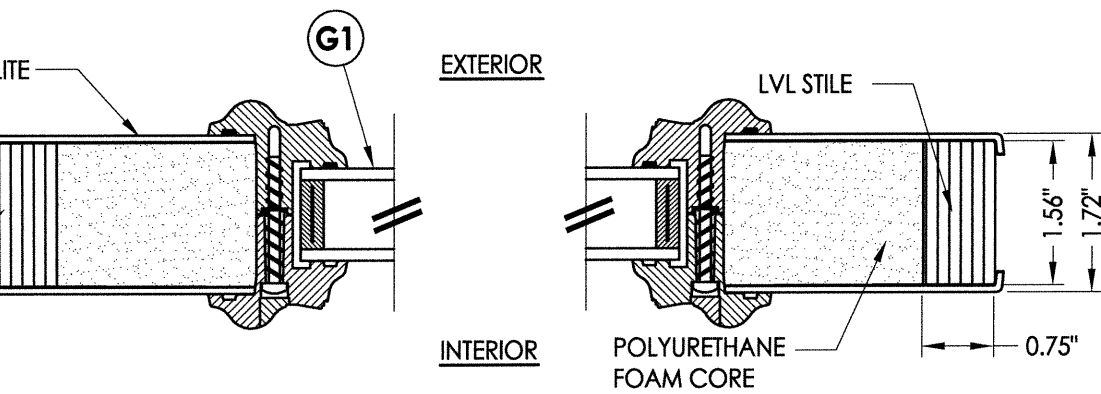
© 2012 R.W. BUILDING CONSULTANTS INC.



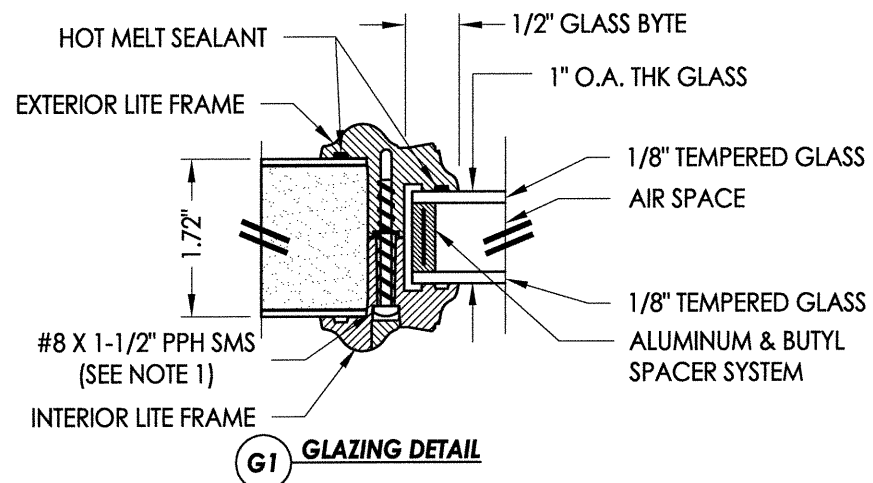


**41 FIBERGLASS SIDELITE**  
"Non-Impact" Lite Frame

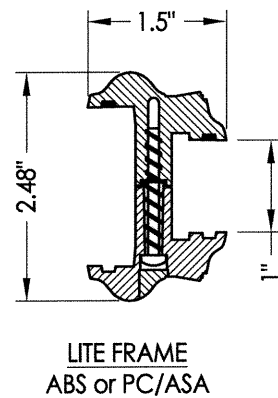
DOOR SKIN: 0.070" MIN. THK. FIBERGLASS  
CORE MATERIAL: POLYURETHANE FOAM



**1 HORIZONTAL CROSS SECTION**

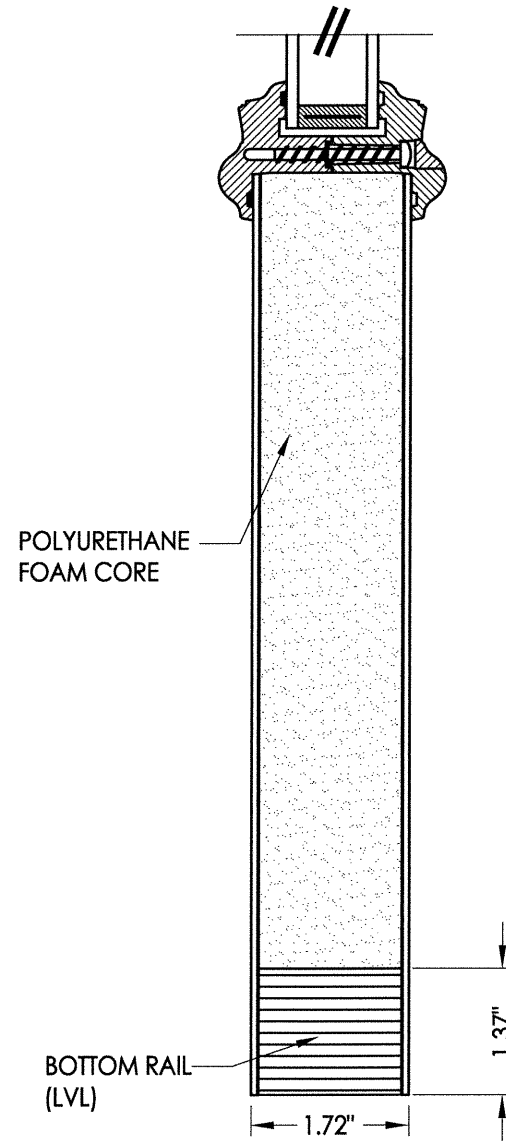
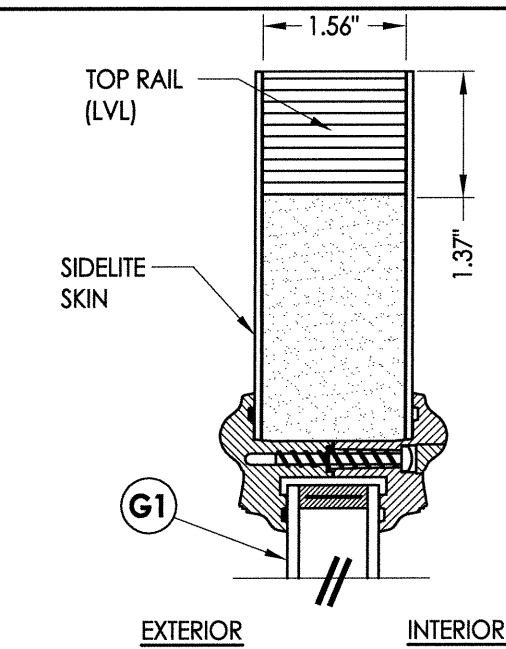


**G1 GLAZING DETAIL**



LITE FRAME  
ABS or PC/ASA

NOTE:  
1. Spacing for lite frame screw is as follows:  
Top and Bottom: 2" from each corner (2 total)  
Sides: 2" from each corner and equally spaced thereafter (8 total)



**2 VERTICAL CROSS SECTION**

**F. SCHMIDT**  
LICENSE  
No. 43409  
STATE OF FLORIDA  
**PROFESSIONAL ENGINEER**

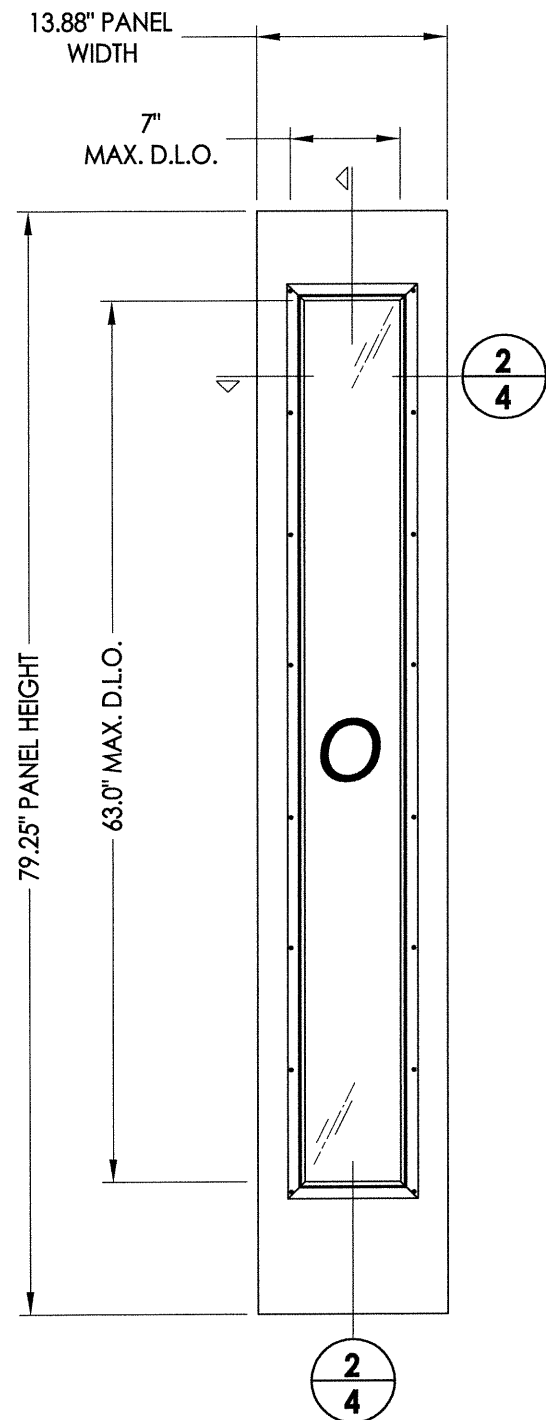
*LFS*  
*S-1.15*

Documents Prepared By:  
Lyndon F. Schmidt  
P.E. No. 43409

**RW**  
BUILDING CONSULTANTS, INC.  
P.O. Box 230, Valrico, FL 33595  
Phone No.: 813.659.9197  
FBPE C.A. No. 9813

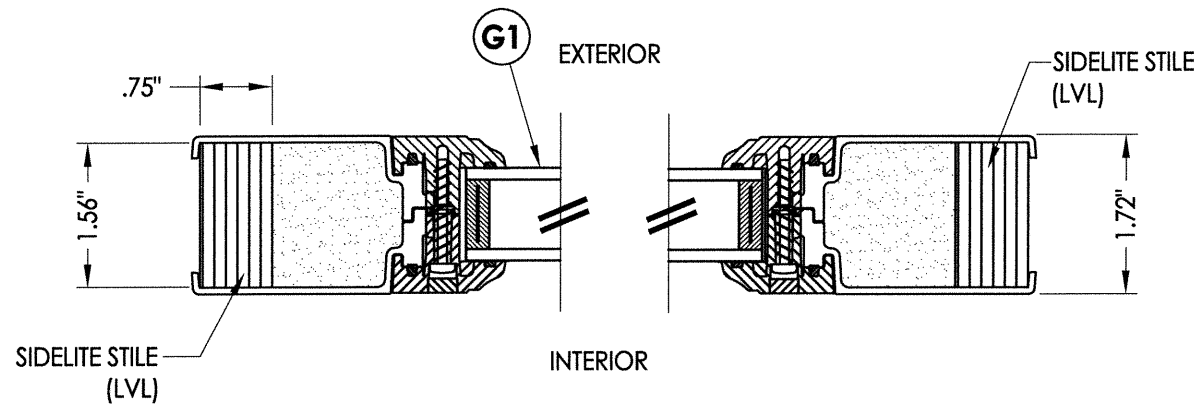
PRODUCT:	TRINITY GLASS INT'L	
PART OR ASSEMBLY:	SIDELITE PANEL DETAILS	
NO.	DATE	BY
2	03/02/15	JK
1	12/16/14	LFS
REVISIONS		
DATE:	1/18/12	
SCALE:	N.T.S.	
DWG. BY:	JK	
CHK. BY:	LFS	
DRAWING NO.:	FL-15129.3	
SHEET	3 OF 12	

R:\Clients\Trinity PERMANENT\Florida Product Approvals\FL-15129\Drawings\Current\FL-15129.1-4.dwg, 4.3

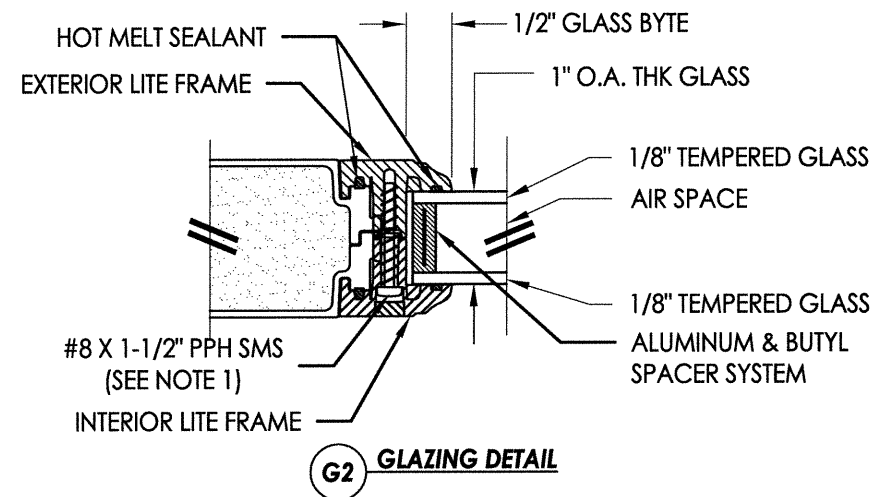


**42 FIBERGLASS SIDELITE**  
"Non-Impac" Flush Lite Frame

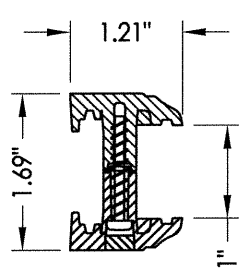
DOOR SKIN: 0.070" MIN. THK. FIBERGLASS  
CORE MATERIAL: POLYURETHANE FOAM



**1/4 HORIZONTAL CROSS SECTION**

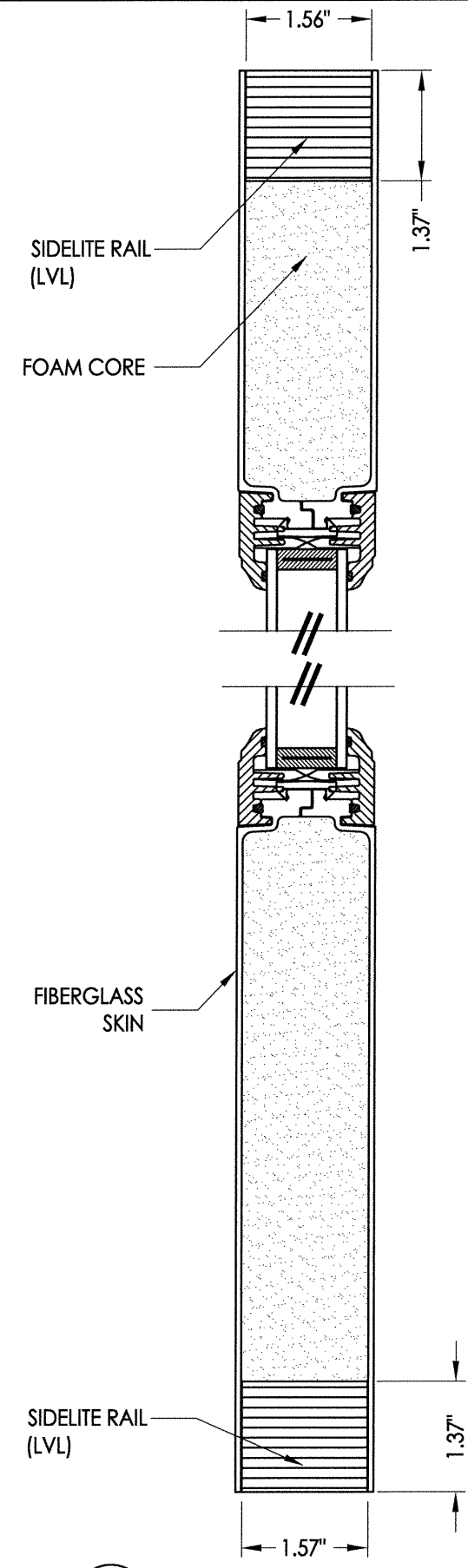


**G2 GLAZING DETAIL**

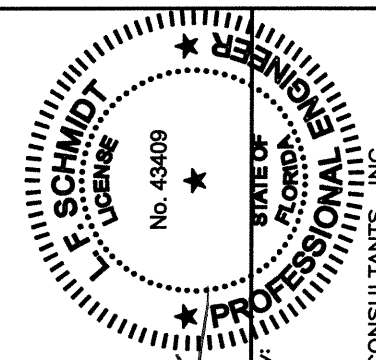


**FLUSH LITE FRAME**  
ABS or PC/ASA

NOTE:  
1. Spacing for lite frame screw is as follows:  
Sides: 0.5" from each corner and 9.5" max. spacing thereafter (8 total)



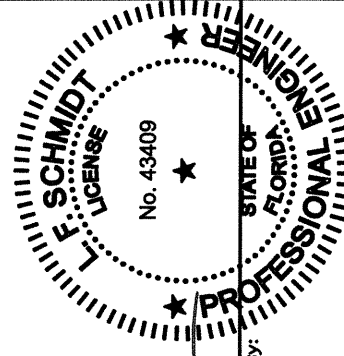
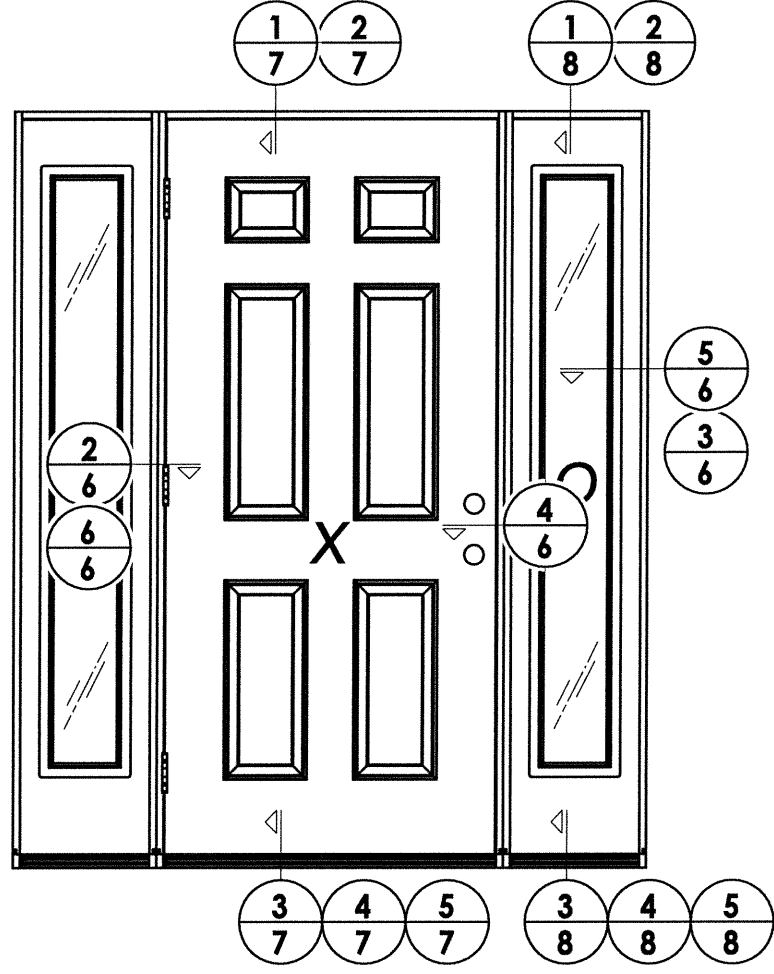
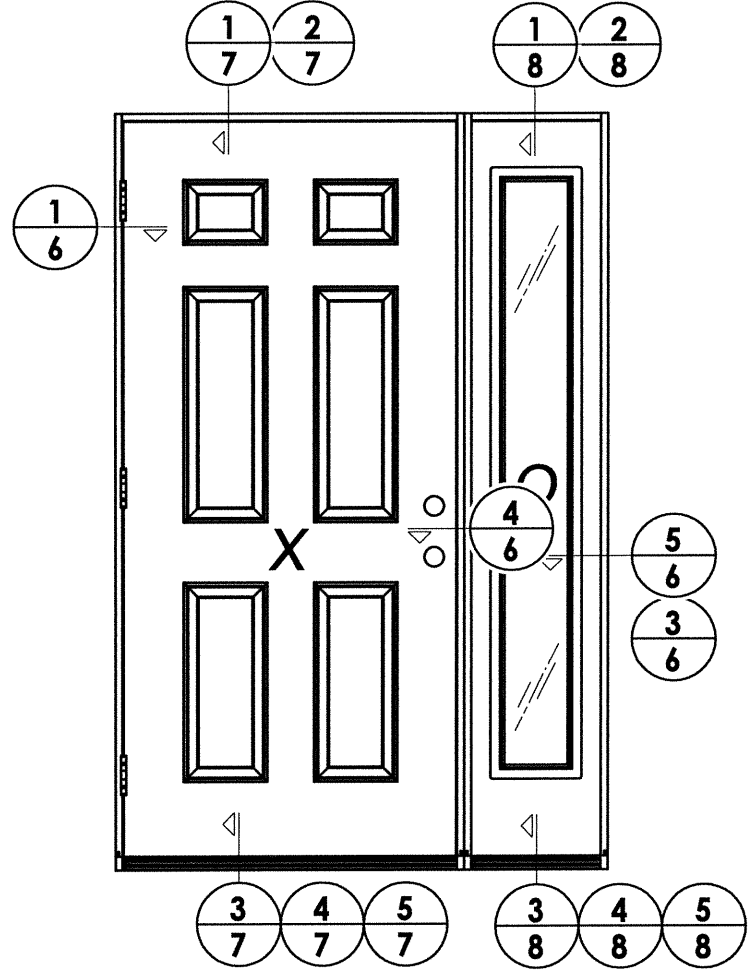
**2/4 VERTICAL CROSS SECTION**



Documents Prepared By:  
Lyndon F. Schmidt  
P.E. No. 43409  
*LFS*  
*5-1-15*

**R.W.**  
BUILDING CONSULTANTS, INC.  
P.O. Box 230, Valrico, FL 33595  
Phone No.: 813.659.9197  
FBPE C.A. No. 9813

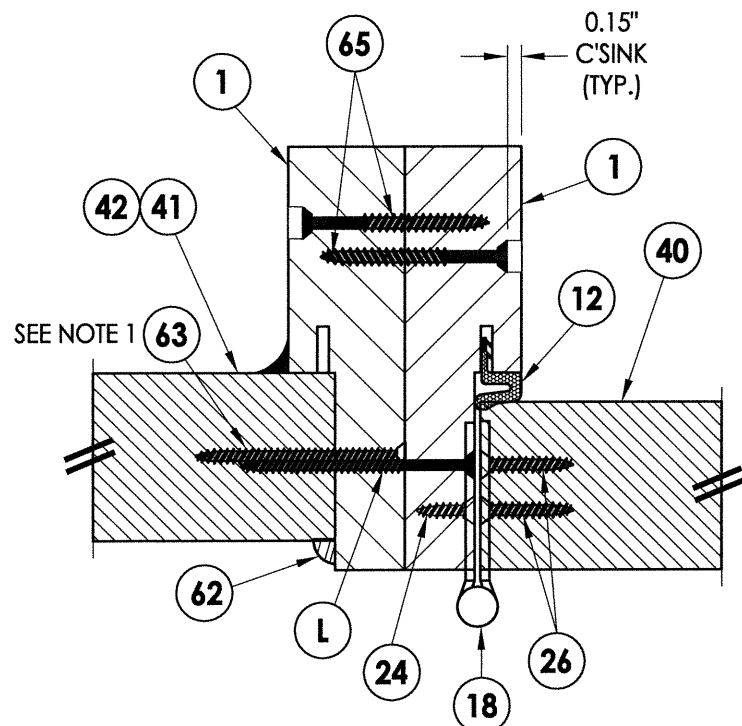
PRODUCT:	TRINITY GLASS INT'L	
PART OR ASSEMBLY:	SIDELITE PANEL DETAILS	
DATE:	1/18/12	
SCALE:	N.T.S.	
DWG. BY:	JK	
CHK. BY:	LFS	
DRAWING NO.:	FL-15129.3	
SHEET	4 OF 12	
NO.	DATE	BY
2	03/02/15	JK
1	12/16/14	LFS
REVISIONS		



Documents Prepared By:  
Lyndon F. Schmidt  
P.E. No. 43409

**RW** BUILDING CONSULTANTS, INC.  
P.O. Box 230, Vairico, FL 33595  
Phone No.: 813.659.9197  
FBPE C.A. No. 9813

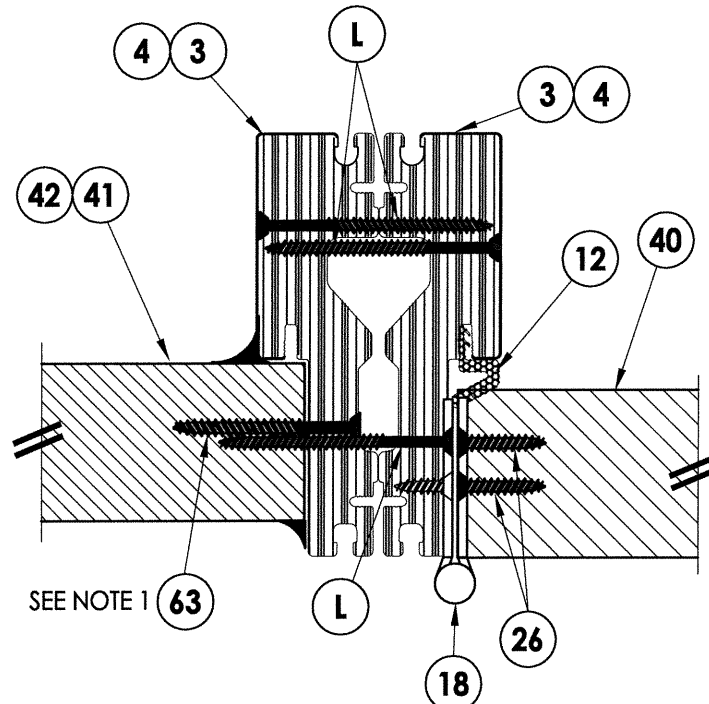
PRODUCT:		TRINITY GLASS INT'L	
PART OR ASSEMBLY:		ELEVATIONS	
NO.	DATE	JK	LFS
2	03/02/15	UPDATE TO 5TH ED. (2014)	FBC
1	12/16/14	REVISED LOCK HARDWARE	
REVISIONS			
DATE: 1/18/12			
SCALE: N.T.S.			
DWG. BY: JK			
CHK. BY: LFS			
DRAWING NO.: FL-15129.3			
SHEET 5 of 12			



**2** **HORIZONTAL CROSS SECTION**  
**6** Outswing shown - Inswing also approved  
 Shown w/ wood jambs

INTERIOR

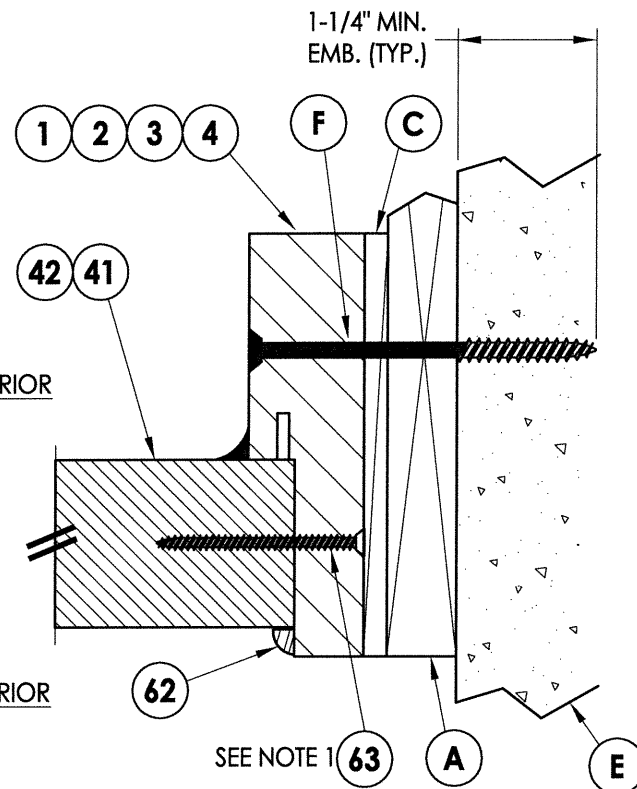
EXTERIOR



**6** **HORIZONTAL CROSS SECTION**  
**6** Outswing shown - Inswing also approved  
 Shown w/ PVC jambs

INTERIOR

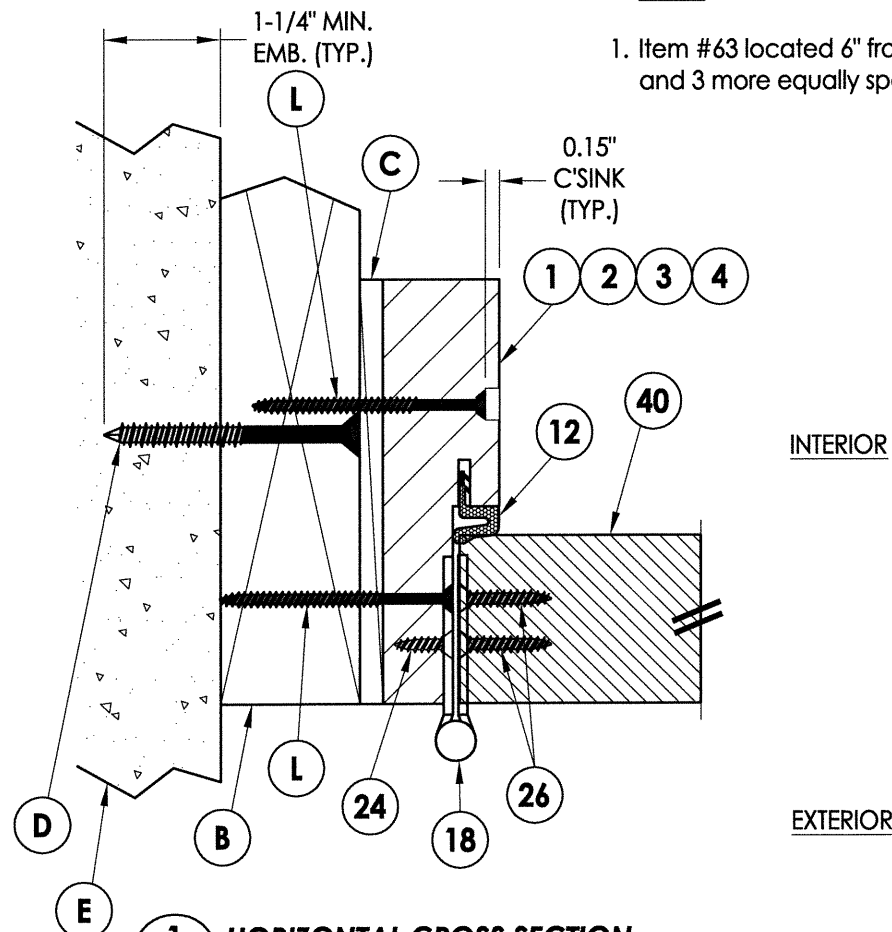
EXTERIOR



**3** **HORIZONTAL CROSS SECTION**  
**6** Shown w/1X sub-buck

NOTE:

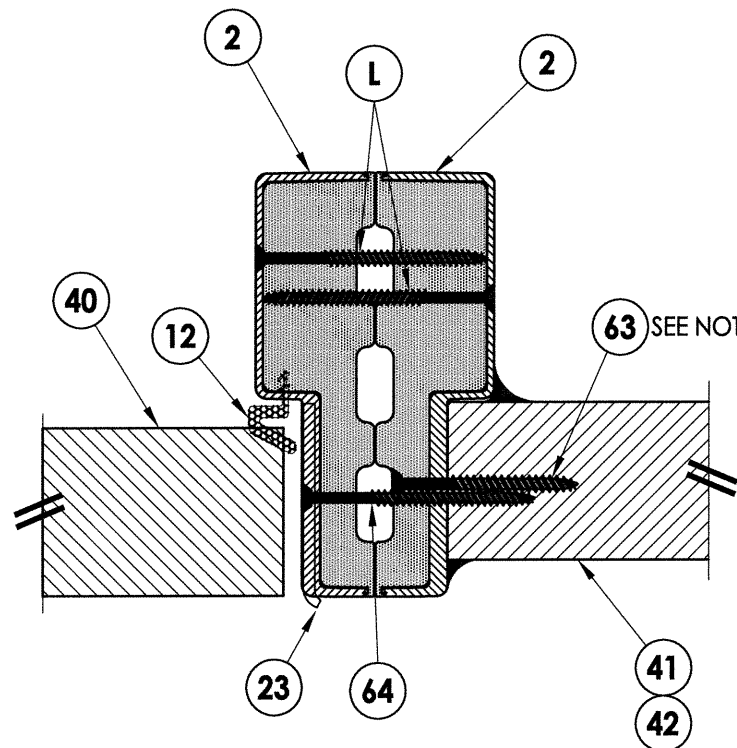
- 1. Item #63 located 6" from each end and 3 more equally spaced (5 total).



**1** **HORIZONTAL CROSS SECTION**  
**6** Outswing shown - Inswing also approved

INTERIOR

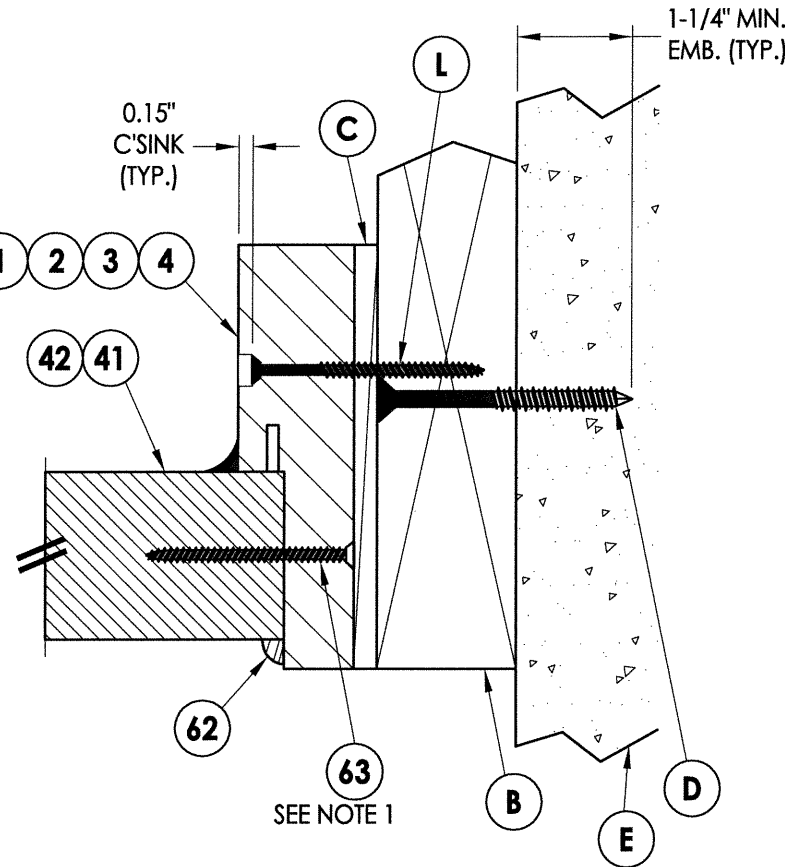
EXTERIOR



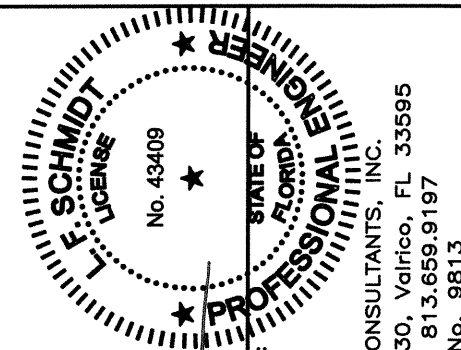
**4** **HORIZONTAL CROSS SECTION**  
**6** Outswing shown - Inswing also approved  
 Shown w/ Fiberglass/Comp. jambs

INTERIOR

EXTERIOR



**5** **HORIZONTAL CROSS SECTION**  
**6** Outswing shown - Inswing also approved



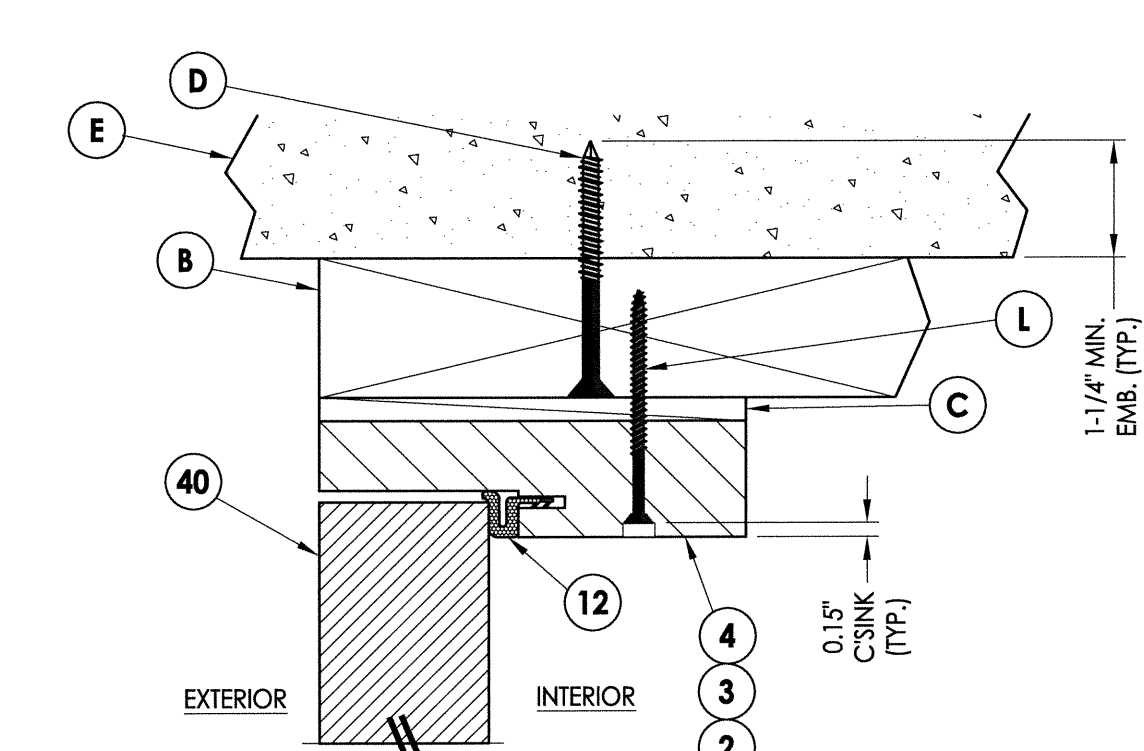
Documents Prepared By:  
 Lyndon F. Schmidt  
 P.E. No. 43409  
 R.W. BUILDING CONSULTANTS, INC.  
 P.O. Box 230, Valrico, FL 33595  
 Phone No.: 813.659.9197  
 FBPE C.A. No. 9813

PRODUCT: TRINITY GLASS INT'L  
 PART OR ASSEMBLY: HORIZONTAL CROSS SECTIONS

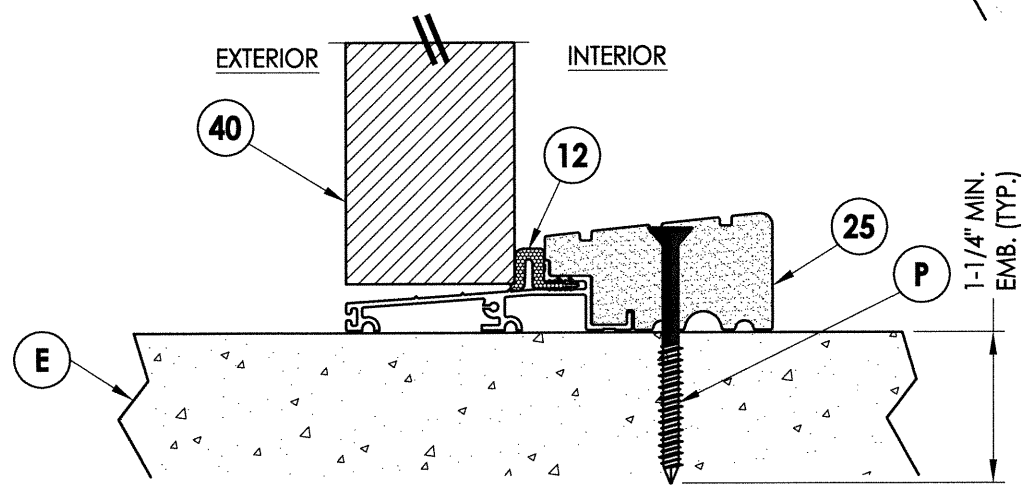
NO.	DATE	REVISIONS
2	03/02/15	UPDATE TO 5TH ED. (2014) FBC
1	12/16/14	REVISED LOCK HARDWARE

DATE: 1/18/12  
 SCALE: N.T.S.  
 DWG. BY: JK  
 CHK. BY: LFS  
 DRAWING NO.: FL-15129.3  
 SHEET 6 OF 12

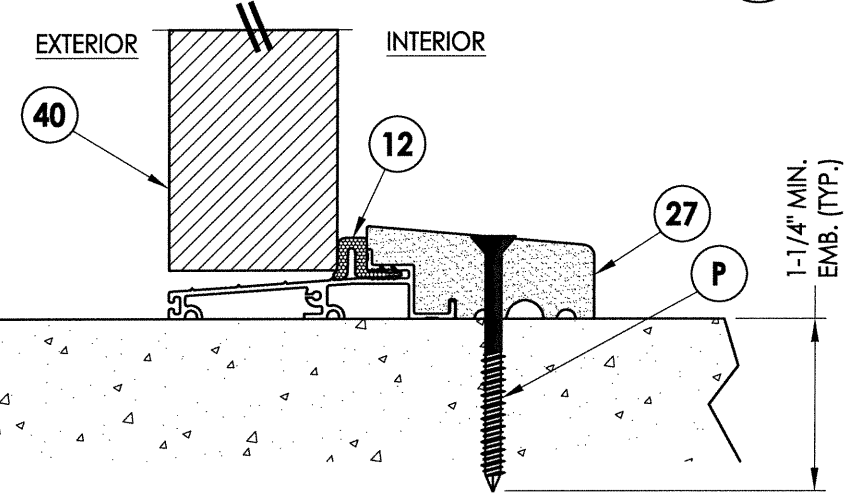
R:\Clients\Trinity PERMANENT\Florida Product Approvals\FL-15129\Drawings\Current\FL-15129.1-4.dwg, 7.3



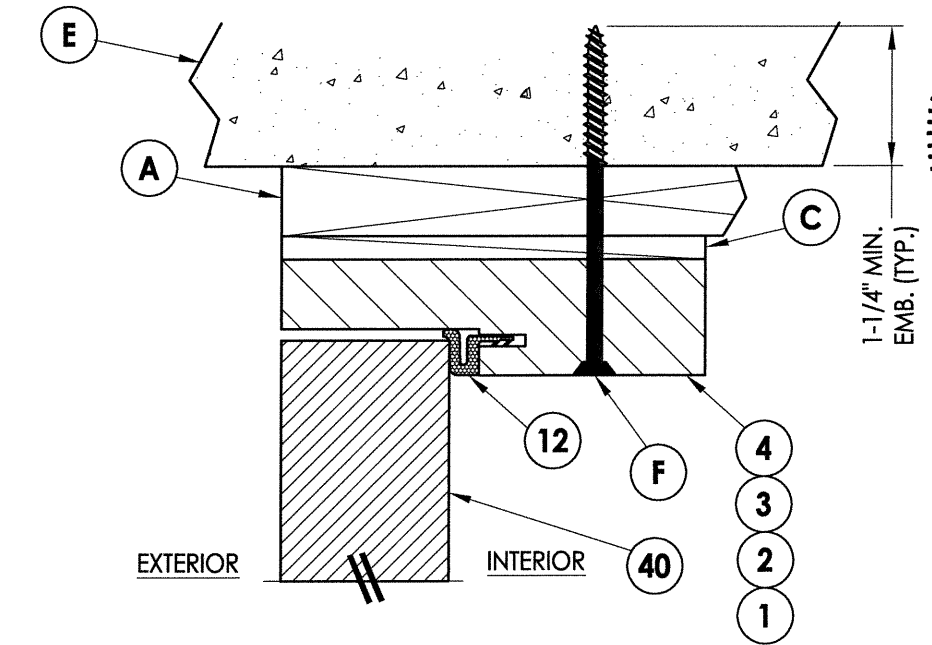
**1 VERTICAL CROSS SECTION**  
7 Outswing shown  
Inswing also approved



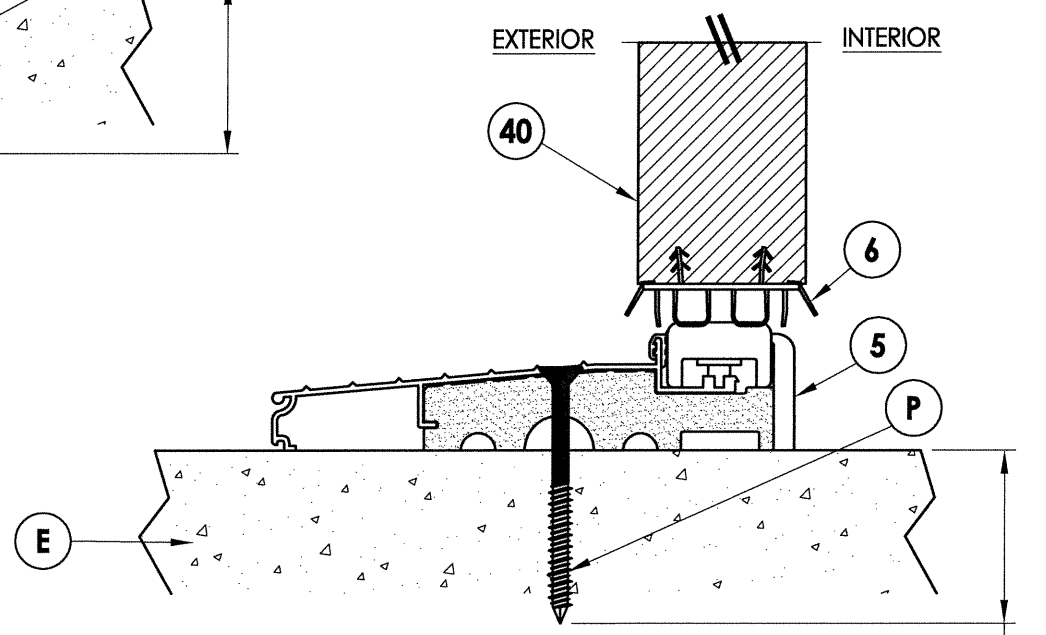
**3 VERTICAL CROSS SECTION**  
7 Outswing sill - high dam



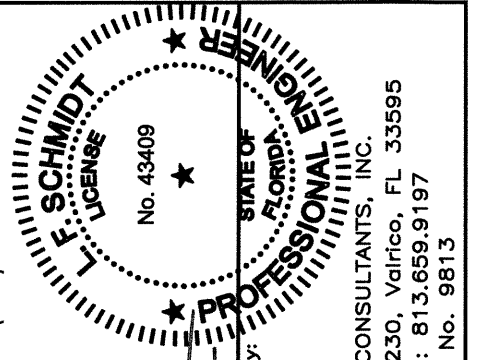
**4 VERTICAL CROSS SECTION**  
7 Outswing sill



**2 VERTICAL CROSS SECTION**  
7 Shown w/1X sub-buck



**5 VERTICAL CROSS SECTION**  
7 Inswing sill



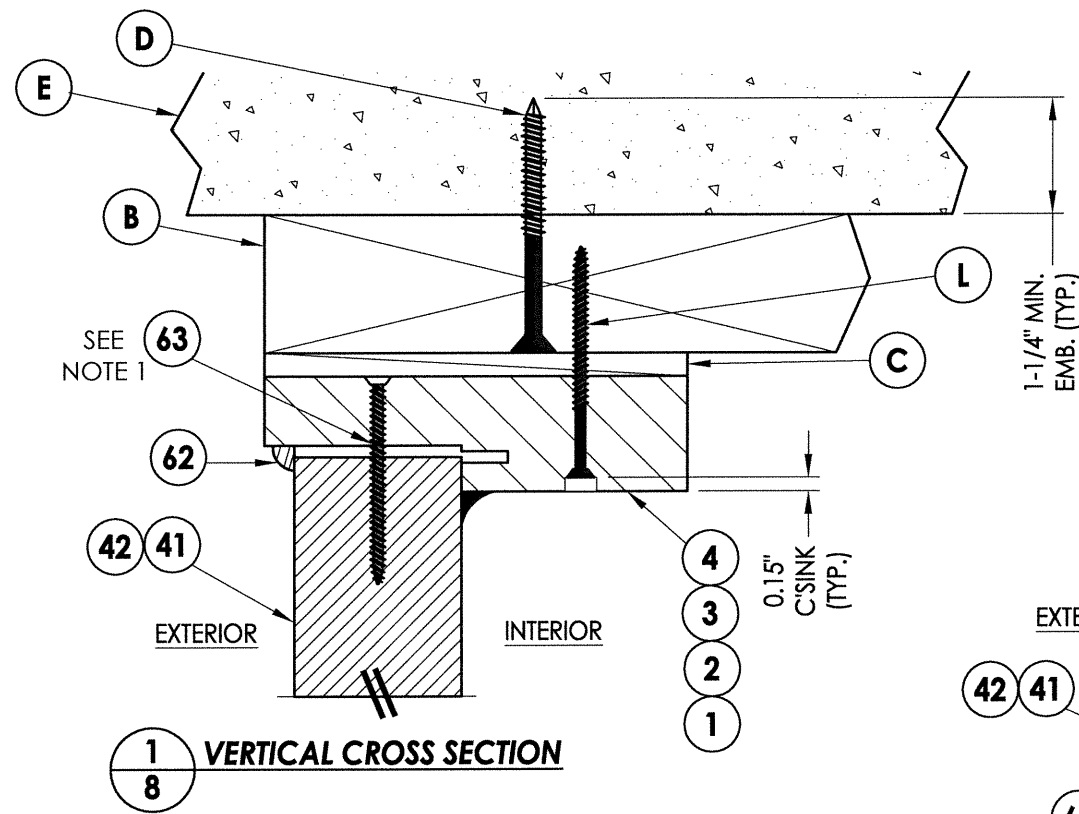
Documents Prepared By:  
Lyndon F. Schmidt  
P.E. No. 43409

*RW* BUILDING CONSULTANTS, INC.  
P.O. Box 230, Valrico, FL 33595  
Phone No.: 813.659.9197  
FBPE C.A. No. 9813

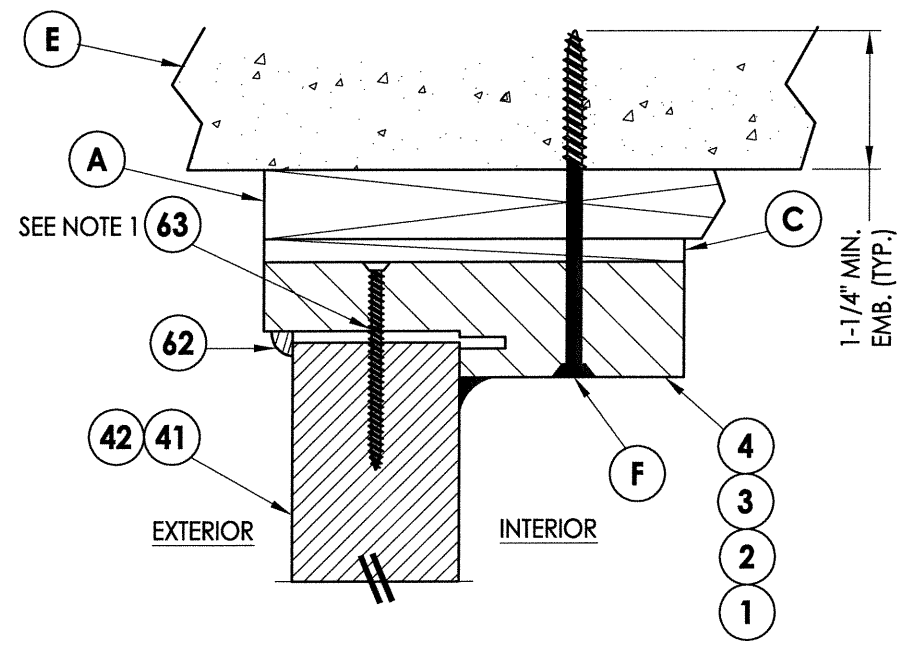
PRODUCT:	TRINITY GLASS INT'L
PART OR ASSEMBLY:	VERTICAL CROSS SECTIONS

NO.	DATE	BY	REVISIONS
2	03/02/15	JK	UPDATE TO 5TH ED. (2014) FBC
1	12/16/14	LFS	REVISED LOCK HARDWARE

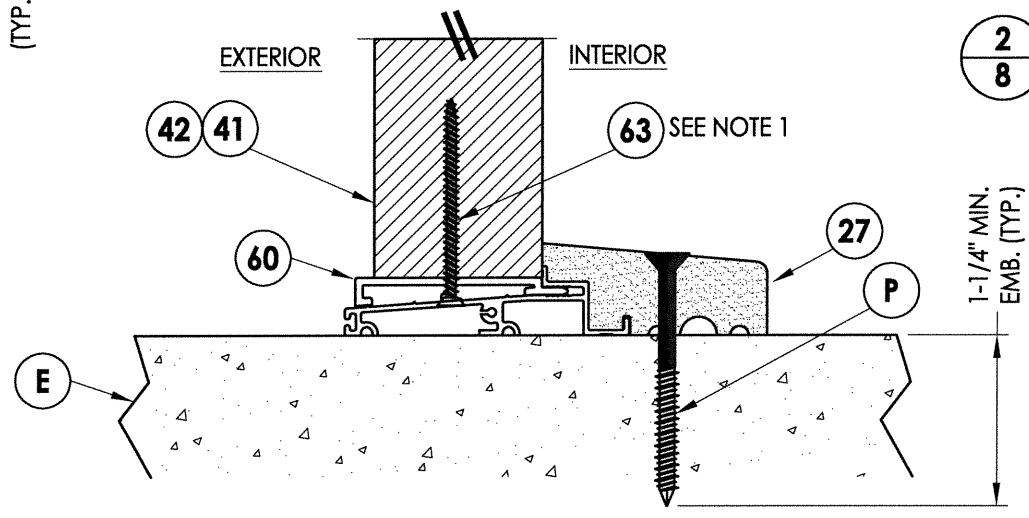
DATE:	1/18/12
SCALE:	N.T.S.
DWG. BY:	JK
CHK. BY:	LFS
DRAWING NO.:	FL-15129.3
SHEET	7 OF 12



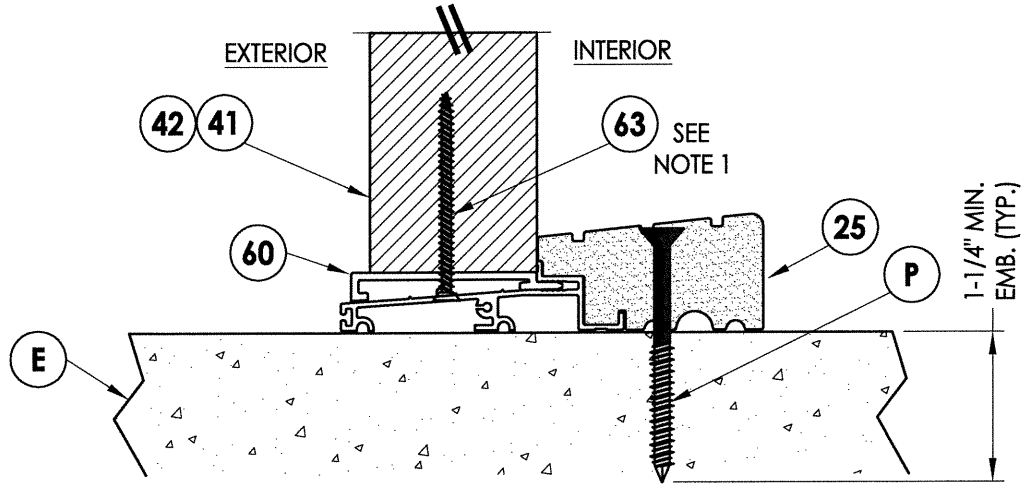
**1**  
**8** VERTICAL CROSS SECTION



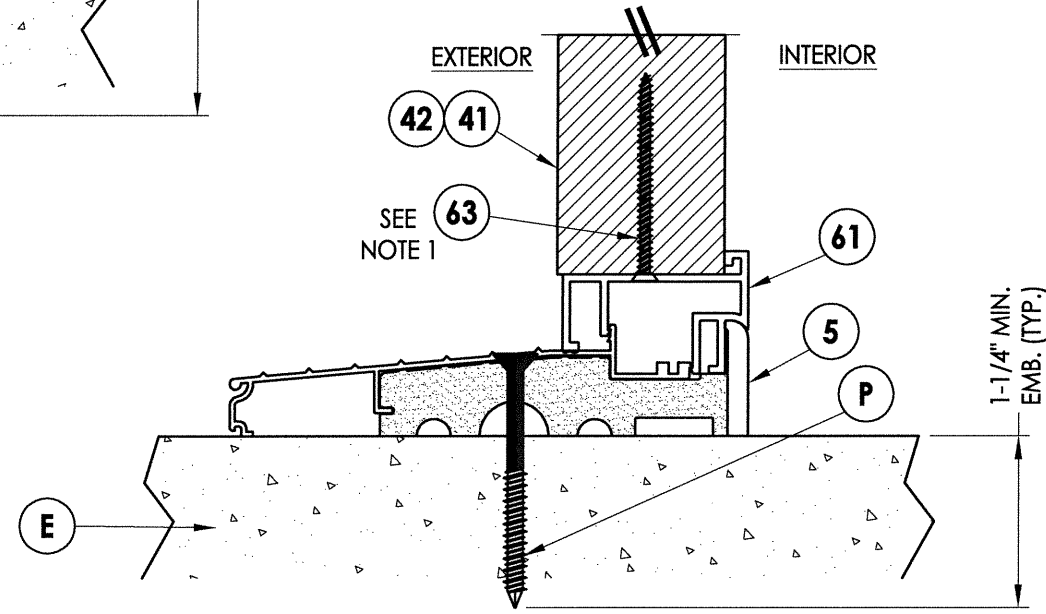
**2**  
**8** VERTICAL CROSS SECTION  
Shown w/1X sub-buck



**4**  
**8** VERTICAL CROSS SECTION  
Outswing sill

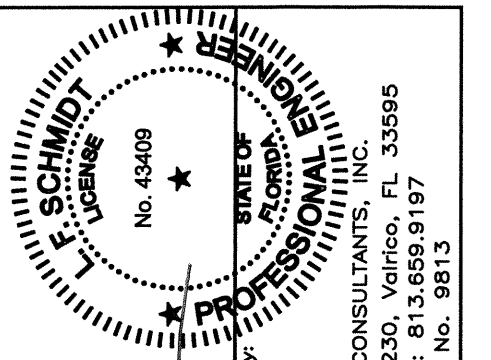


**3**  
**8** VERTICAL CROSS SECTION  
Outswing sill - high dam



**5**  
**8** VERTICAL CROSS SECTION  
Inswing sill

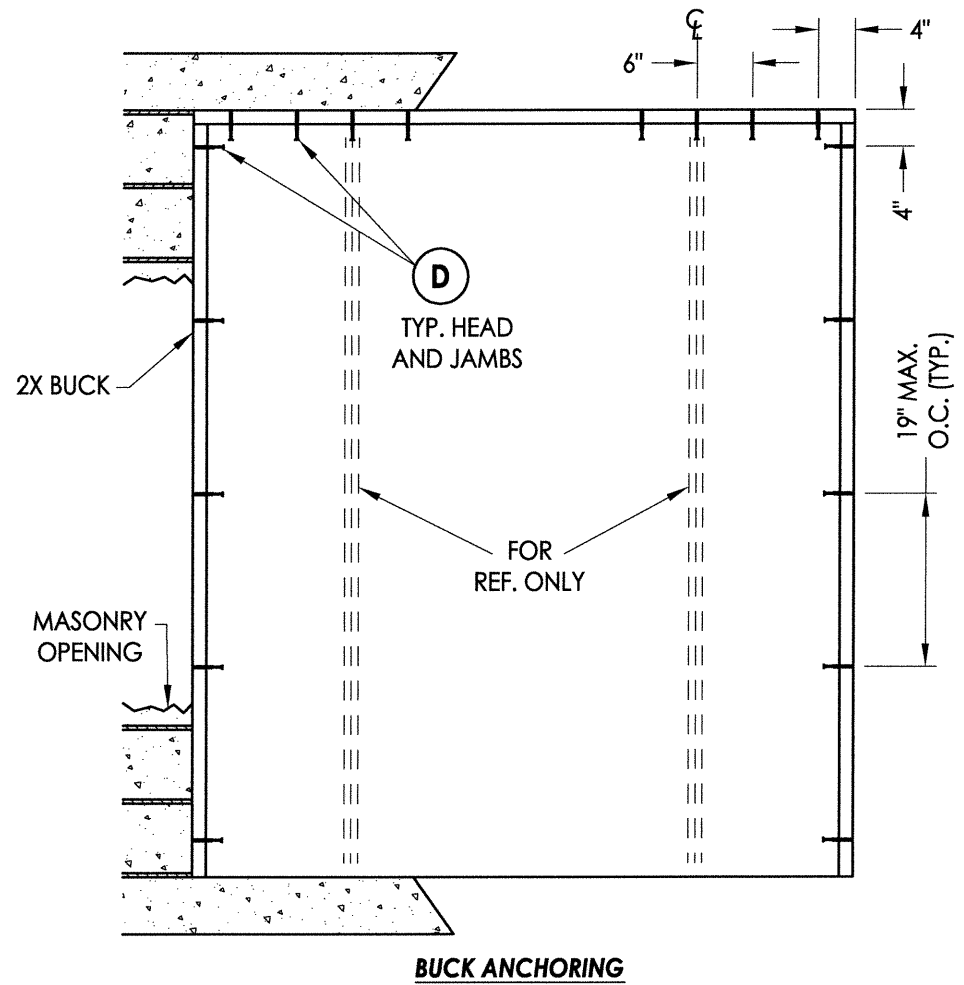
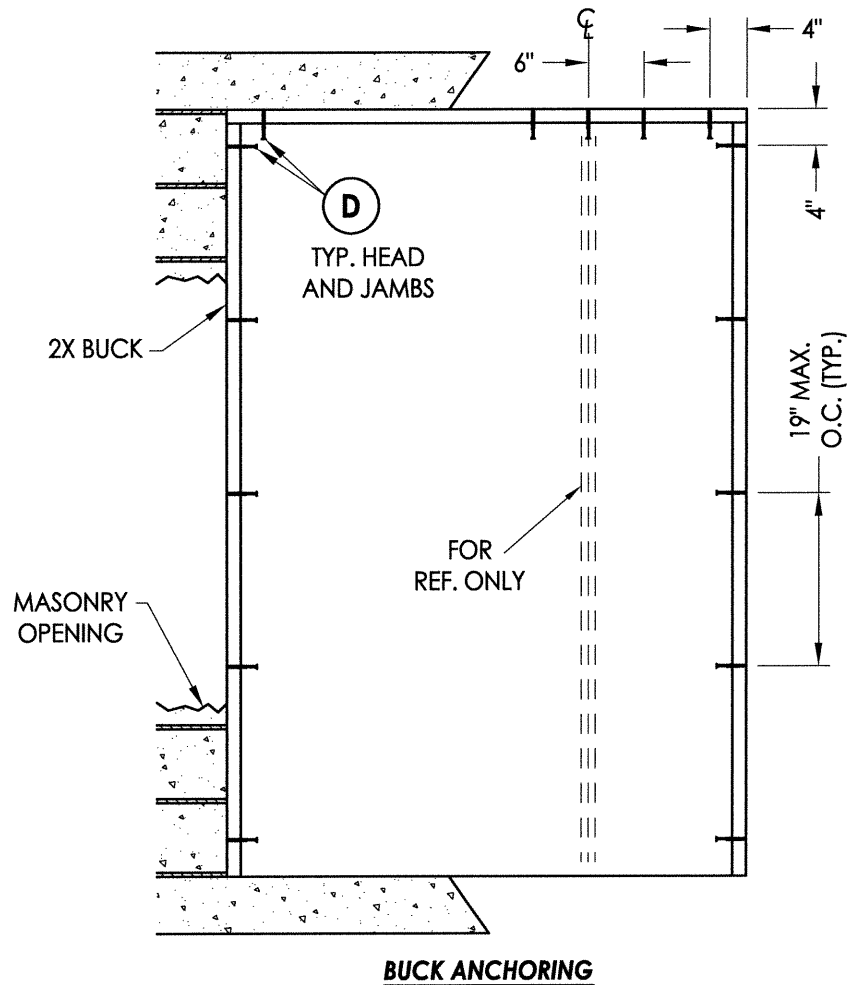
NOTE:  
1. Screws thru head and sill jamb located 3\"/>



Documents Prepared By:  
Lyndon F. Schmidt  
P.E. No. 43409  
R.W.  
BUILDING CONSULTANTS, INC.  
P.O. Box 230, Valrico, FL 33595  
Phone No.: 813.659.9197  
FBPE C.A. No. 9813

PRODUCT:		TRINITY GLASS INT'L	
PART OR ASSEMBLY:		VERTICAL CROSS SECTIONS	
NO.	DATE	BY	REVISIONS
2	03/02/15	JK	UPDATE TO 5TH ED. (2014) FBC
1	12/16/14	LFS	REVISED LOCK HARDWARE
DATE: 1/18/12			
SCALE: N.T.S.			
DWG. BY: JK			
CHK. BY: LFS			
DRAWING NO.: FL-15129.3			
SHEET 8 OF 12			





**BUCK ANCHORING**

**BUCK ANCHORING**

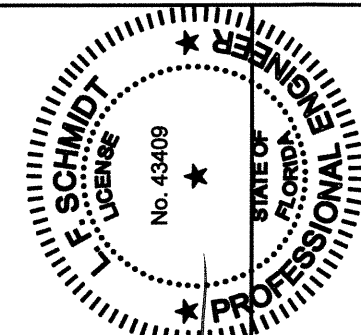
**CONCRETE ANCHOR NOTES:**

1. Concrete anchor locations at the corners may be adjusted to maintain the min. edge distance to mortar joints.
2. Concrete anchor locations noted as "MAX. ON CENTER" must be adjusted to maintain the min. edge distance to mortar joints, additional concrete anchors may be required to ensure the "MAX. ON CENTER" dimension are not exceeded.
3. Concrete anchor table:

ANCHOR TYPE	ANCHOR SIZE	MIN. EMBEDMENT	MIN. CLEARANCE TO MASONRY EDGE	MIN. CLEARANCE TO ADJACENT ANCHOR
ITW BUILDEX TAPCON®	1/4"	1-1/4"	2"	4"
ELCO ULTRACON®	1/4"	1-1/4"	1"	4"

**WOOD SCREW INSTALLATION NOTES:**

1. Maintain a minimum 5/8" edge distance, 1" end distance, & 1" o.c. spacing of wood screws to prevent the splitting of wood.

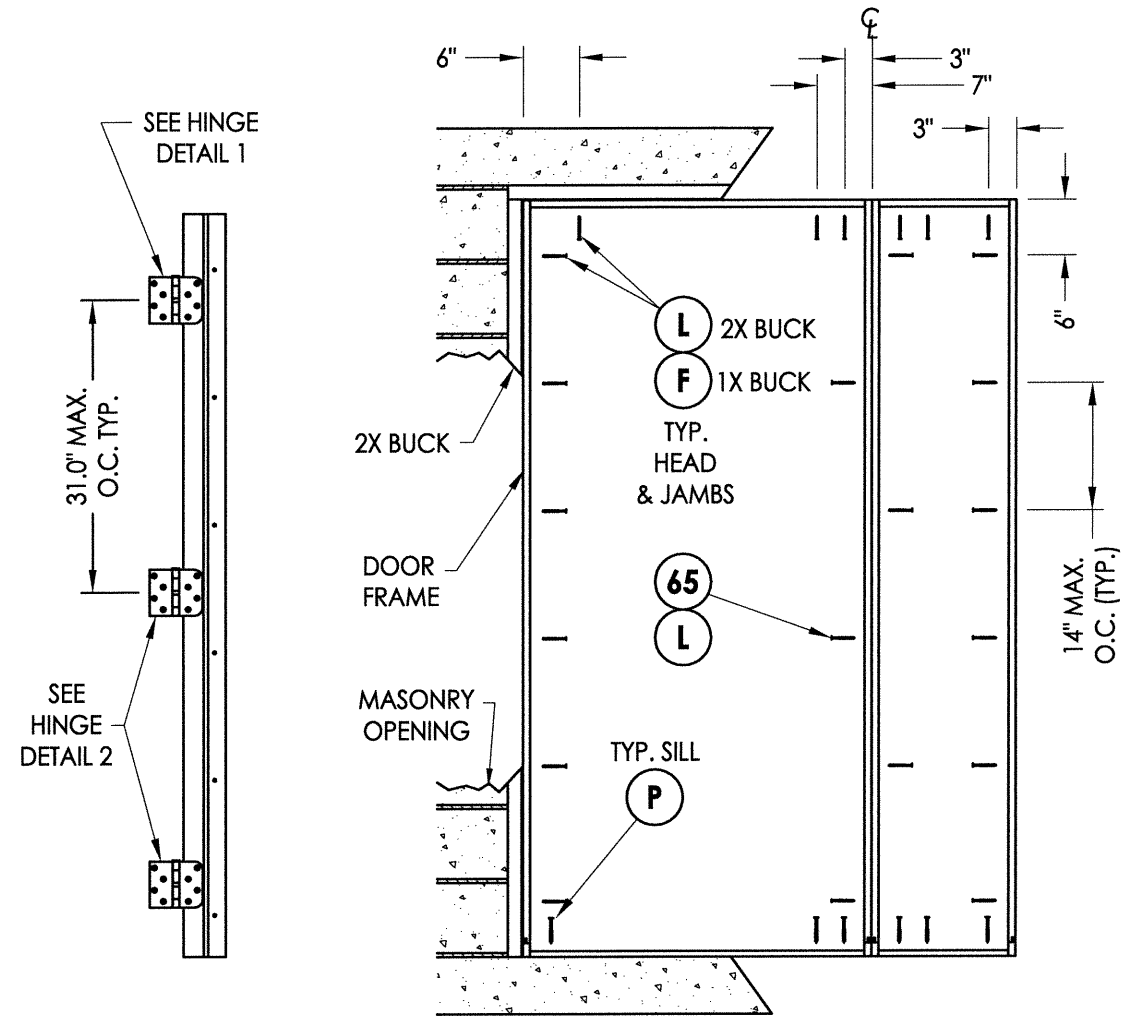


*LFS*  
*5-1-12*

Documents Prepared By:  
Lyndon F. Schmidt  
P.E. No. 43409

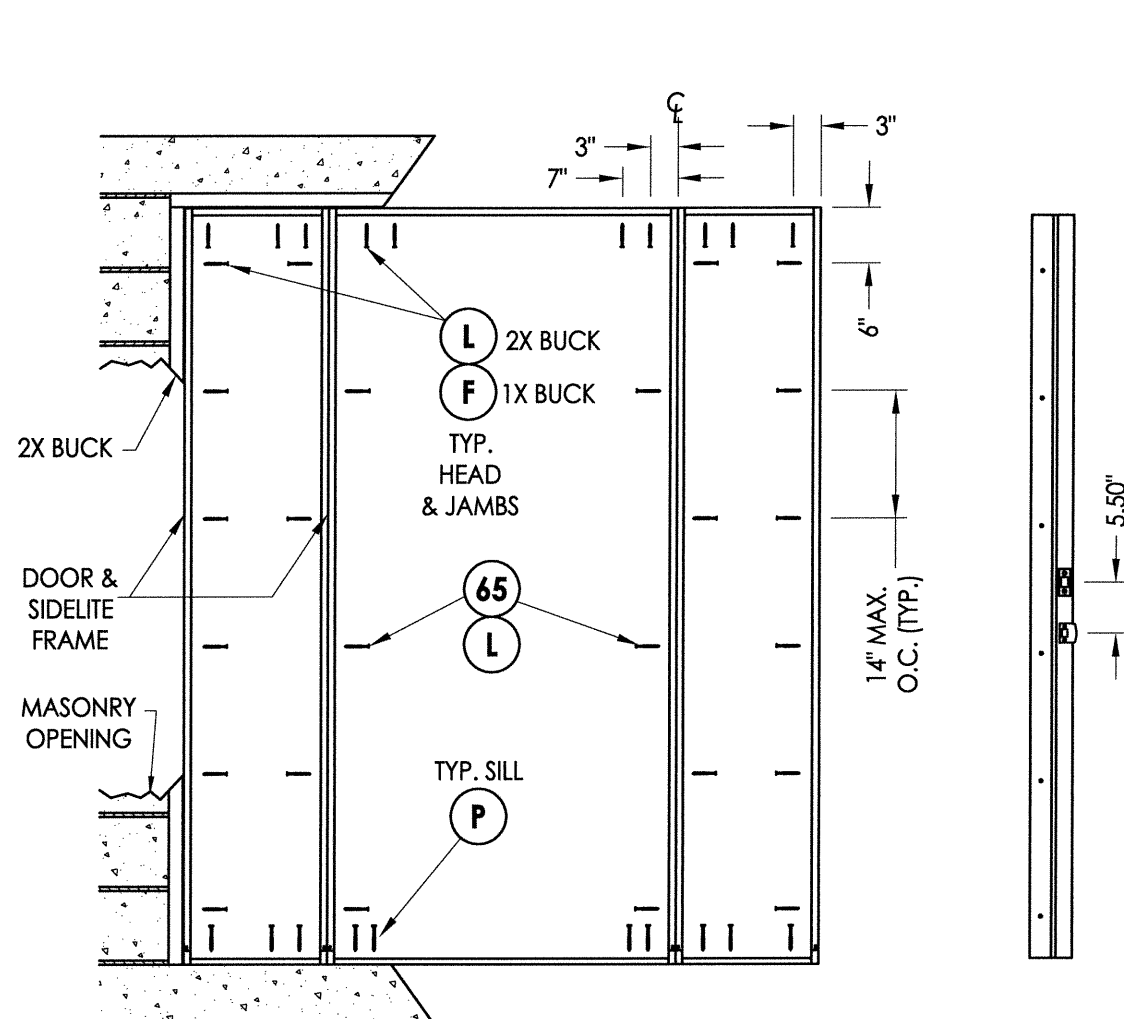
**R.W.** BUILDING CONSULTANTS, INC.  
P.O. Box 230, Vairico, FL 33595  
Phone No.: 813.659.9197  
FBPE C.A. No. 9813

PRODUCT:		TRINITY GLASS INT'L	
PART OR ASSEMBLY:		BUCK ANCHORING	
DATE:	1/18/12	NO.	DATE
2	03/02/15	1	12/16/14
	UPDATE TO 5TH ED. (2014) FBC		REVISED LOCK HARDWARE
		JK	LFS
			BY
REVISIONS			
SCALE:	N.T.S.		
DWG. BY:	JK		
CHK. BY:	LFS		
DRAWING NO.:	FL-15129.3		
SHEET	9	OF	12



**HINGE JAMB**

**FRAME ANCHORING**  
Masonry construction



**FRAME ANCHORING**  
Masonry construction

**STRIKE JAMB**

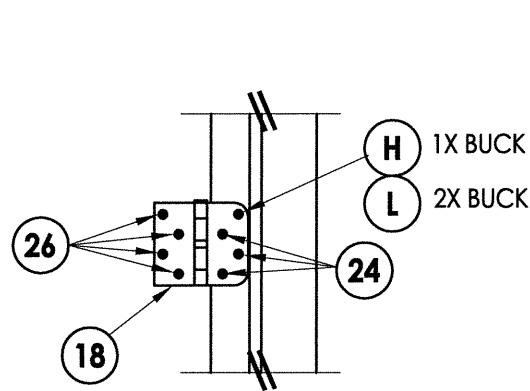
**CONCRETE ANCHOR NOTES:**

1. Concrete anchor locations at the corners may be adjusted to maintain the min. edge distance to mortar joints.
2. Concrete anchor locations noted as "MAX. ON CENTER" must be adjusted to maintain the min. edge distance to mortar joints, additional concrete anchors may be required to ensure the "MAX. ON CENTER" dimension are not exceeded.
3. Concrete anchor table:

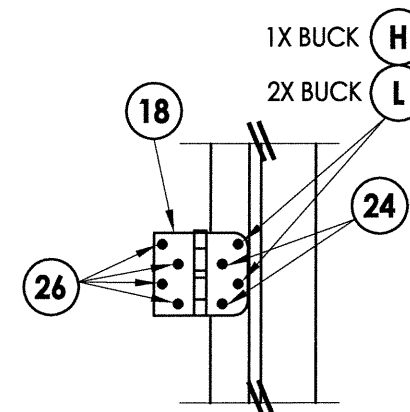
ANCHOR TYPE	ANCHOR SIZE	MIN. EMBEDMENT	MIN. CLEARANCE TO MASONRY EDGE	MIN. CLEARANCE TO ADJACENT ANCHOR
ITW BUILDEX TAPCON®	3/16"	1-1/4"	3"	1-1/2"
	1/4"	1-1/4"	2"	4"
ELCO ULTRACON®	1/4"	1-1/4"	1"	4"

**WOOD SCREW INSTALLATION NOTES:**

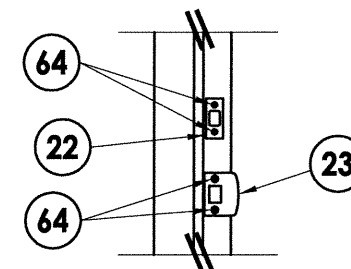
1. Maintain a minimum 5/8" edge distance, 1" end distance, & 1" o.c. spacing of wood screws to prevent the splitting of wood.



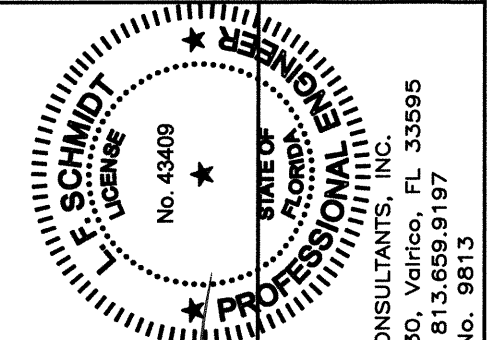
**HINGE DETAIL 2**



**HINGE DETAIL 1**



**STRIKE PLATE DETAIL**



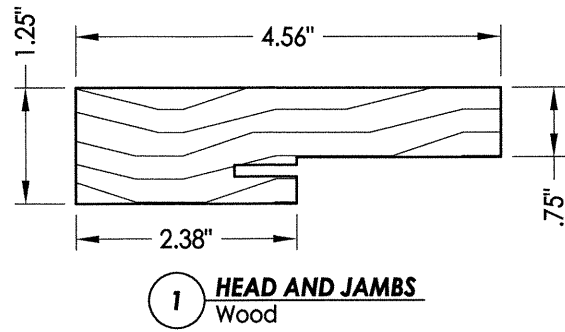
Documents Prepared By:  
Lyndon F. Schmidt  
P.E. No. 43409

**RW** BUILDING CONSULTANTS, INC.  
P.O. Box 230, Valrico, FL 33595  
Phone No.: 813.659.9197  
FBPE C.A. No. 9813

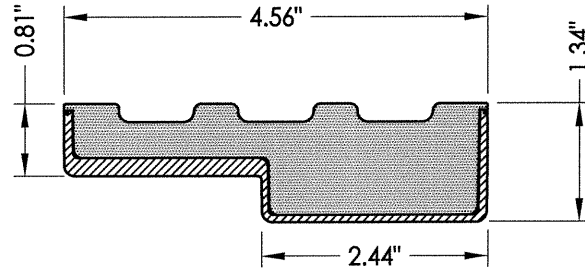
PRODUCT:	TRINITY GLASS INT'L
PART OR ASSEMBLY:	FRAME ANCHORING

NO.	DATE	BY	REVISIONS
2	03/02/15	JK	UPDATE TO 5TH ED. (2014) FBC
1	12/16/14	LFS	REVISED LOCK HARDWARE

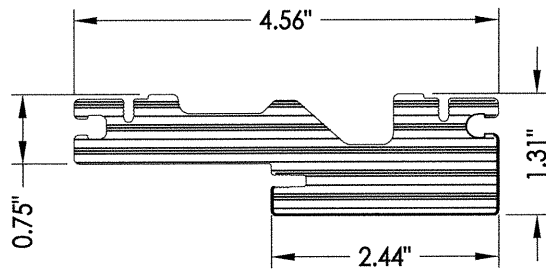
DATE:	1/18/12
SCALE:	N.T.S.
DWG. BY:	JK
CHK. BY:	LFS
DRAWING NO.:	FL-15129.3
SHEET	10 of 12



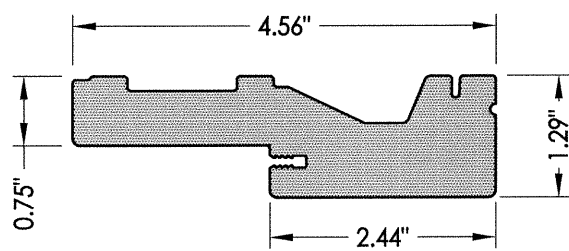
**1 HEAD AND JAMBS**  
Wood



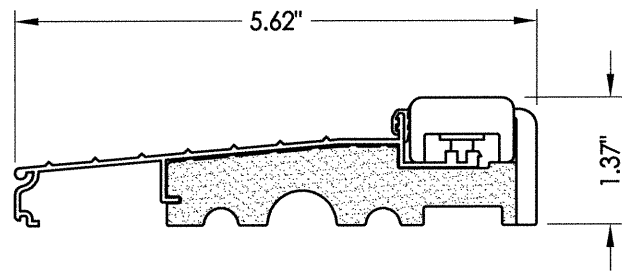
**2 HEAD AND JAMBS**  
Composite PVC Base  
w/ Fiberglass Wrap



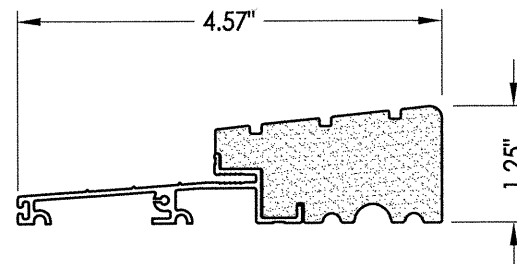
**3 HEAD AND JAMBS**  
PVC



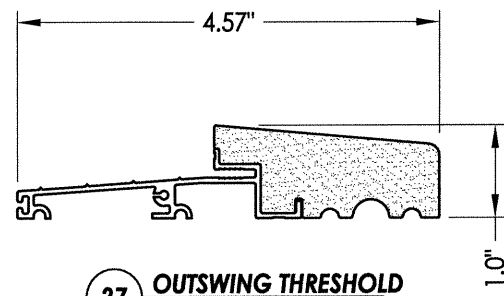
**4 HEAD AND JAMBS**  
PVC



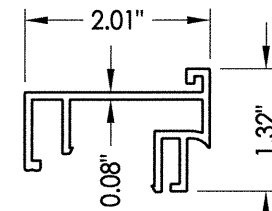
**5 INSWING THRESHOLD**



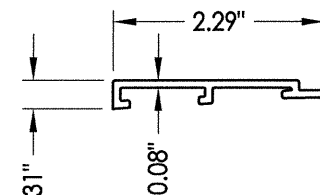
**25 OUTSWING THRESHOLD**  
High-dam



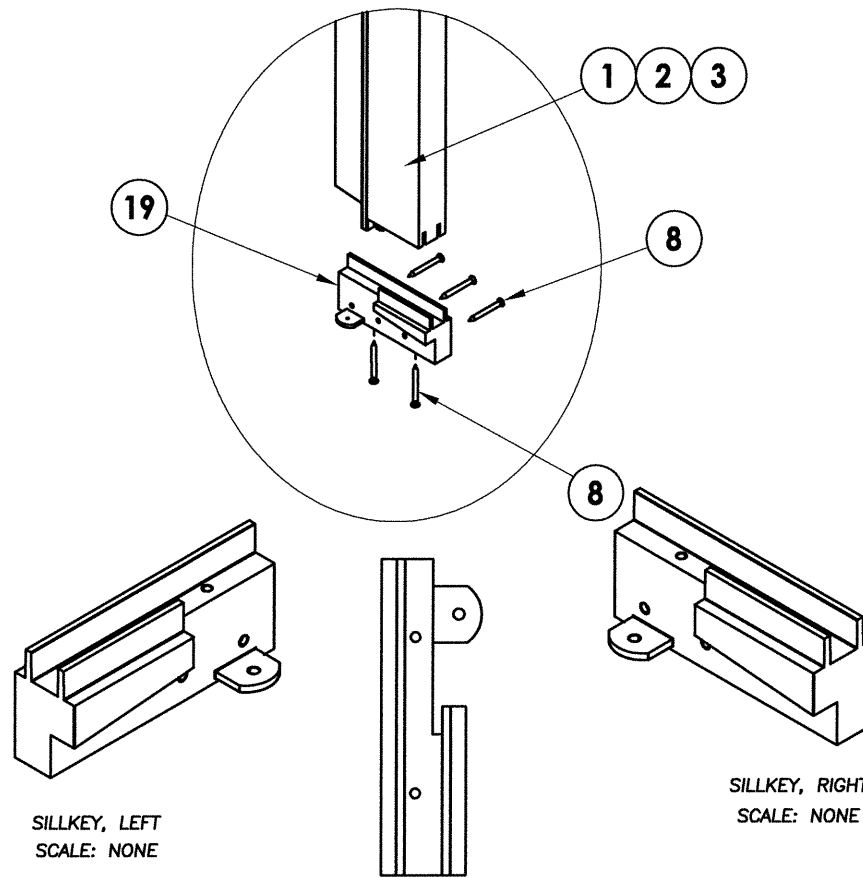
**27 OUTSWING THRESHOLD**



**61 SIDELITE SPACER**  
Inswing

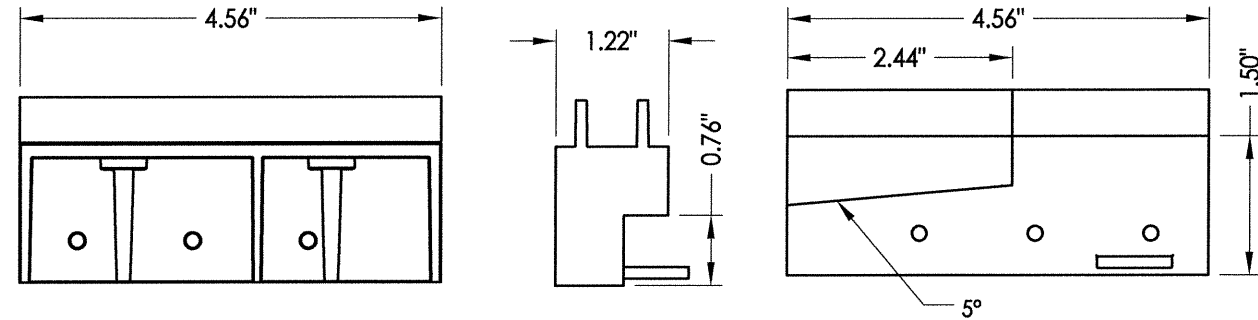


**60 SIDELITE SPACER**  
Outswing

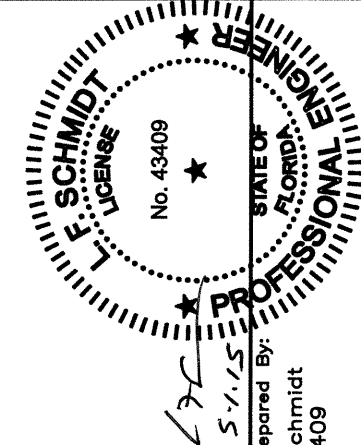


SILLKEY, LEFT  
SCALE: NONE

SILLKEY, RIGHT  
SCALE: NONE



**19 SILLKEY DETAILS**  
Optional

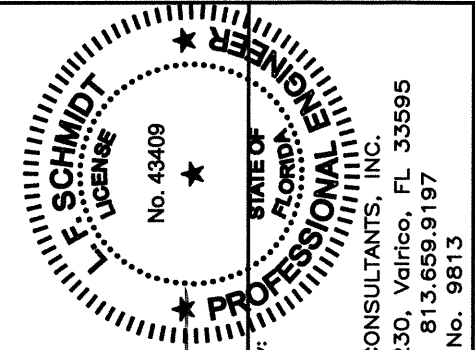


Documents Prepared By:  
Lyndon F. Schmidt  
P.E. No. 43409

**R.W.**  
BUILDING CONSULTANTS, INC.  
P.O. Box 230, Valrico, FL 33595  
Phone No.: 813.659.9197  
FBPE C.A. No. 9813

PRODUCT: TRINITY GLASS INT'L		PART OR ASSEMBLY: COMPONENTS	
NO.	DATE	BY	REVISIONS
2	03/02/15	JK	UPDATE TO 5TH ED. (2014) FBC
1	12/16/14	LFS	REVISED LOCK HARDWARE
DATE: 1/18/12			
SCALE: N.T.S.			
DWG. BY: JK			
CHK. BY: LFS			
DRAWING NO.: FL-15129.3			
SHEET 11 OF 12			

BILL OF MATERIALS		
ITEM #	DESCRIPTION	MATERIAL
A	1X BUCK SG >= 0.55	WOOD
B	2X BUCK SG >= 0.55	WOOD
C	1/4" MAX. SHIM SPACE	-
D	1/4" X 2-3/4" PFH ELCO OR ITW CONCRETE SCREW	STEEL
E	MASONRY - 3,000 PSI MIN. CONCRETE CONFORMING TO ACI 301 OR HOLLOW BLOCK CONFORMING TO ASTM C90	CONCRETE
F	1/4" X 3-3/4" PFH ITW CONCRETE SCREW	STEEL
H	3/16" X 3-1/4" PFH ITW CONCRETE SCREW	STEEL
J	#9 X 2-1/4" PFH WS	STEEL
L	#8 X 2-1/2" PFH WS	STEEL
P	1/4" X 2-3/4" PFH ELCO OR ITW CONCRETE SCREW	STEEL
1	JAMB (FINGER-JOINT PINE - SG >= 0.42)	WOOD
2	JAMB	FIBERGLASS/COMP
3	JAMB	PVC
4	JAMB	PVC
5	INSWING THRESHOLD ALUMINUM W/ COMPOSITE SUBSTRATE	ALUMINUM
6	DOOR BOTTOM SWEEP	PVC
8	#6 X 1-1/4 PFH DRYWALL SCREW	STEEL
12	WEATHER STRIP QEBD650 Q-LON	-
18	3.983" X 4.0" HINGE MIN 0.098" THICK	STEEL
19	SILLKEY	PC/ASA
22	DEADBOLT STRIKE PLATE	STEEL
23	STRIKE PLATE	STEEL
24	#9 X 5/8" PFH WS	STEEL
25	OUTSWING HIGH-DAM THRESHOLD ALUMINUM W/ COMPOSITE SUBSTRATE	ALUM./ COMP.
26	#9 X 1.0" PFH WS	STEEL
27	OUTSWING THRESHOLD ALUMINUM W/ COMPOSITE SUBSTRATE	ALUM./ COMP.
40	DOOR PANEL - SEE DOOR PANEL DETAIL SHEET FOR CONSTRUCTION DETAILS	-
41	SIDELITE PANEL - SEE SIDELITE PANEL DETAIL SHEET FOR CONSTRUCTION DETAILS	-
42	SIDELITE PANEL - SEE SIDELITE PANEL DETAIL SHEET FOR CONSTRUCTION DETAILS	-
60	SIDELITE SPACER - OUTSWING	PVC
61	SIDELITE SPACER - INSWING	PVC
62	QUARTER ROUND	WOOD
63	#8 X 2-1/4" PFH WOOD SCREW	STEEL
64	#8 X 2" PFH WOOD SCREW	STEEL
65	#10 X 2" PFH WOOD SCREW	STEEL



Documents Prepared By:  
 Lyndon F. Schmidt  
 P.E. No. 43409

*RW*  
 BUILDING CONSULTANTS, INC.  
 P.O. Box 230, Valrico, FL 33595  
 Phone No.: 813.659.9197  
 FBPE C.A. No. 9813

PRODUCT: TRINITY GLASS INT'L

PART OR ASSEMBLY: BILL OF MATERIALS

NO.	DATE	BY	REVISIONS
2	03/02/15	JK	UPDATE TO 5TH ED. (2014) FBC
1	12/16/14	LFS	REVISED LOCK HARDWARE

DATE: 1/18/12  
 SCALE: N.T.S.  
 DWG. BY: JK  
 CHK. BY: LFS  
 DRAWING NO.: FL-15129.3  
 SHEET 12 OF 12